

Year of Construction 2002

Spare parts Catalogue

Precision Chop Loaderwagon

RAPIDE 100 - 130

Lely Australia / New Zealand



Schuitemaker



Schuitemaker Machines BV

P.O. Box 219

7460 AE Rijssen - Holland

Tel: +31 548 514125

Fax: +31 548 516840

E-mail: service@schuitemaker-machines.nl

Website: www.schuitemaker-machines.nl

Contents Lely 2002

| | |
|--|----|
| Guidelines for ordering spare parts | 3 |
| 1. <u>P.T.O.</u> Drive schaft with wide-angle yoke and cam-type clutch | 5 |
| 1.1. Cam-type clutch | 5 |
| 2. Rotor intake Type-S with drive | 7 |
| 3. Rotor intake type-SW and V with drive | 9 |
| 4. Floor chain with drive | 13 |
| 5. Towbars | 15 |
| 6. Rotor Gearbox | 17 |
| 7. Floor driving gearbox | 19 |
| 8. Pick-up Suspensio with drive (5-Rows) | 21 |
| 9. 5-Rows Pick-up | 23 |
| 10. Chopping device | 25 |
| 11. Feed roller. | 27 |
| 12. Hydraulic parking support | 29 |
| 13. Tandem frame TAP-BPW Rapide 100 | 31 |
| 14. Tandem frame Rapide 130 | 33 |
| 15. Gigant Spring assemblies | 35 |
| 16. Track following wheel axle Rapide 130. | 37 |
| 17. Wheel axles ADR Rapide 130 (Type 898 Brake 400x80) | 39 |
| 18. Tandem BPW TAL (Rapide 130) | 41 |
| 19. Front board Rapide 100 | 43 |
| 20. Front board Rapide 130 | 45 |
| 21. Tailgate | 47 |
| 22. Distribution beaters Rapide 100-SW | 49 |
| 23. Distribution beaters Rapide 100-SWV; 130-SWV | 51 |
| 24. Beater drive with chain tensioner | 53 |
| 25. Beater protective device | 55 |
| 26. Tailgate with Cross conveyor | 57 |
| 27. Hydraulic/Elektrical operation | 61 |
| 28. Steel construction as windcover Rapide 100 | 63 |
| 29. Extra Slide guide + cords for wind cover construction Rapide 100 | 65 |

| | |
|---|----|
| 30. Steel construction + cords as wind cover Rapide 130 | 67 |
| 31. Gear box Type-S | 68 |
| 32. Gear box Type SW and SWV | 69 |
| 33. Hydraulic system Rapide 100-S/LS | 70 |
| 34. Hydraulic system Rapide 100-SW/LS | 71 |
| 35. Hydraulic system Rapide 100-SWV/LS | 73 |
| 36. Hydraulic system Rapide 130-S/LS | 74 |
| 37. Hydraulic system Rapide 130-SWV/LS | 75 |
| 38. Electrical circuit diagram Rapide S | 76 |
| 39. Electrical circuit diagram Rapide SW and SWV | 77 |

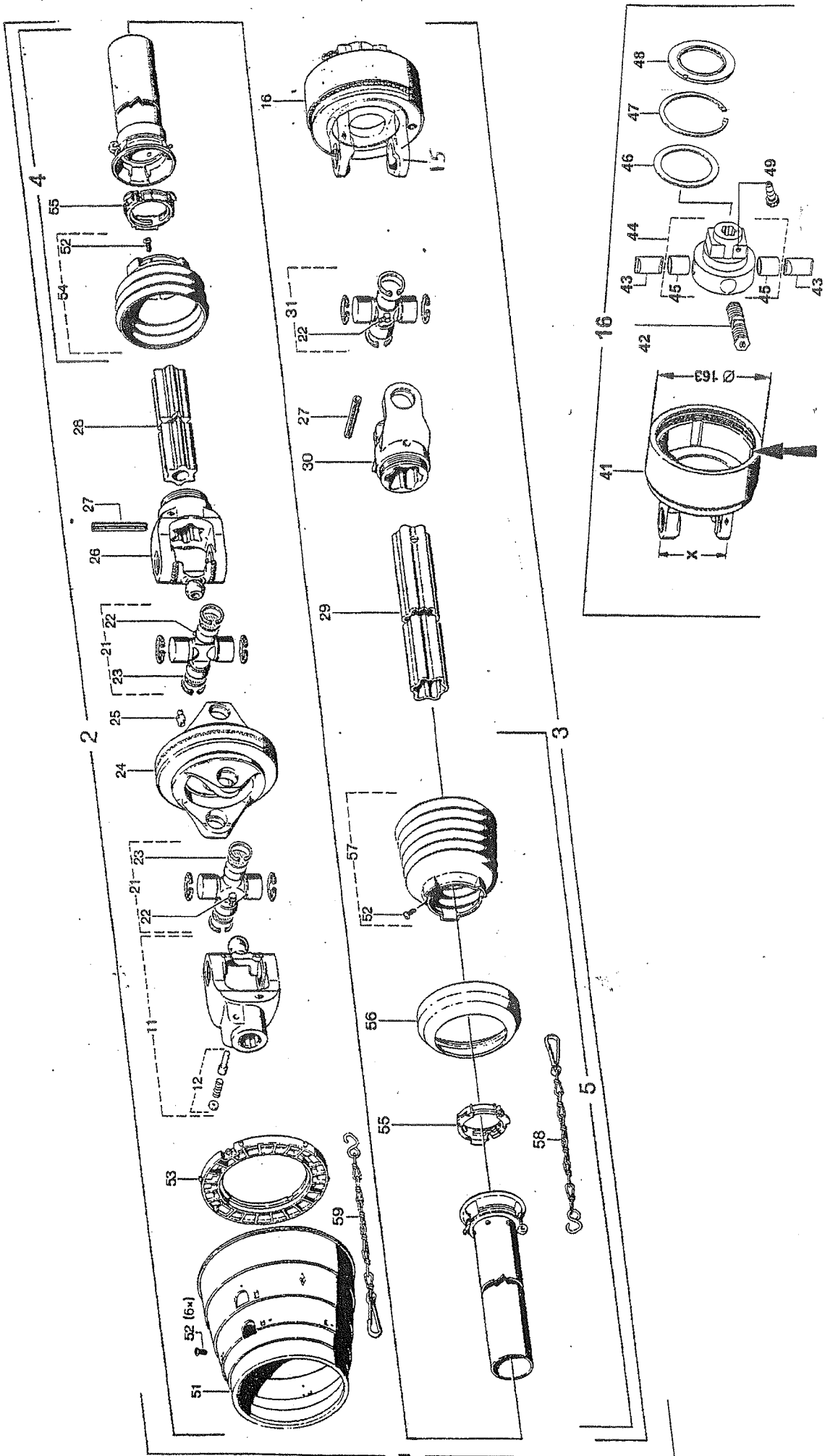
GUIDELINES FOR ORDERING SPARE PARTS

If you follow the rules stated below when ordering spare parts, you will be assured of a fast and correct delivery.

1. State the model, year of construction and serial number of your Rapide
2. State both the full number of the part (if known) and the description.
3. State how the part needs to be despatched.
4. When ordering wheel axle parts, it is also advisable to state the wheel axle type. This can be found on the type plate of the wheel axle.

The numbers of the parts of the SCHUITEMAKER-wagons can be found in the first column below the heading *SR-no.* These can be ordered from:

SCHUITEMAKER Machines B.V. Rijssen – The Netherlands
Postbus 219 - 7460 AE Rijssen – The Netherlands
Tel: 0031 - 548 - 514125
Fax: 0031 - 548 - 516840
Spare Parts Dept.
Ext. 41



1. P.T.O. DRIVE SCHAFT WITH WIDE-ANGLE YOKE AND CAM-TYPE CLUTCH

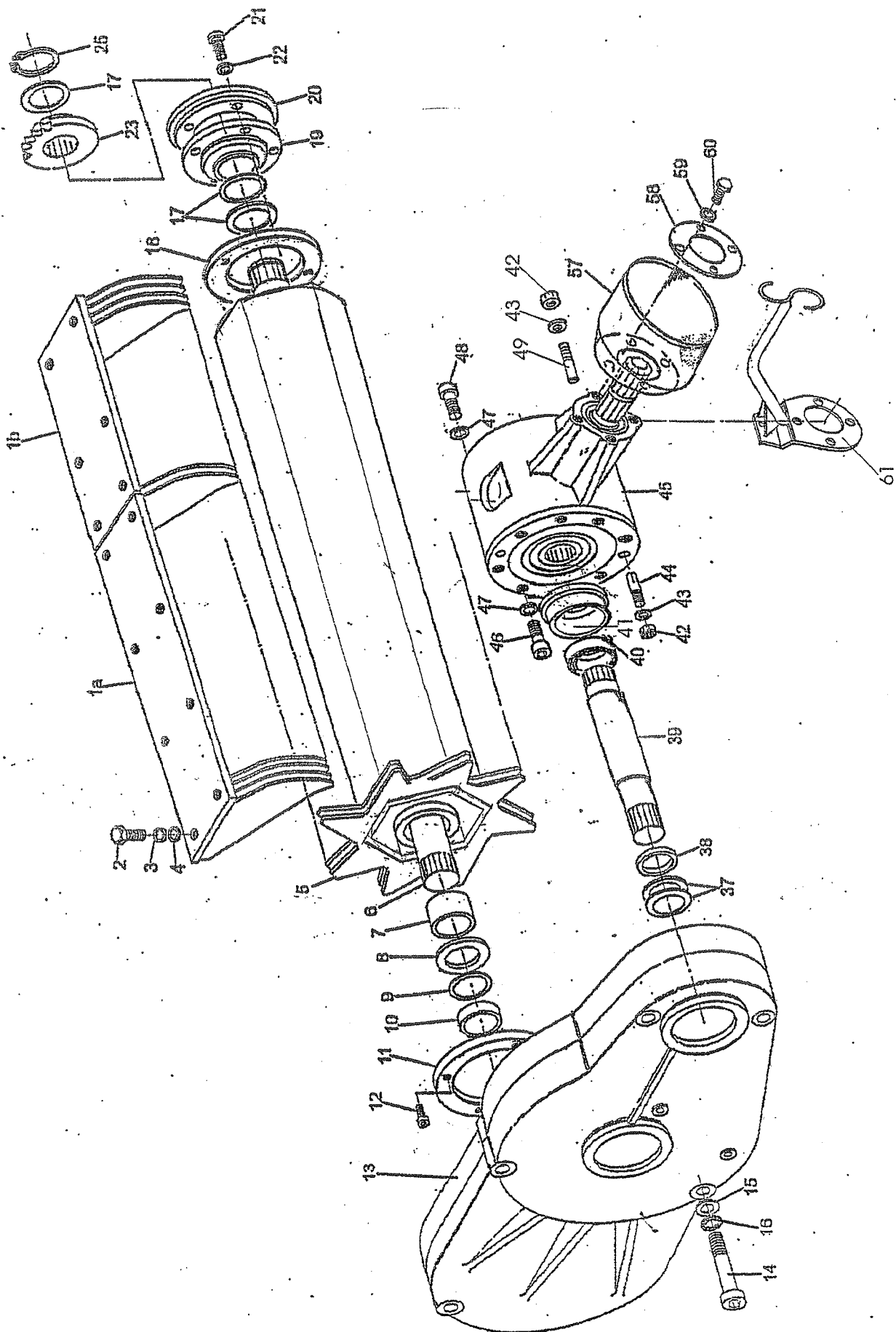
ENKELZIJDIGE GROOTHOEK-KOPPELINGSAS MET NOKKENKOPPELING

| <i>Fig.</i> | <i>SR-no.</i> | <i>Omschrijving</i> | <i>Description</i> |
|-------------|---------------|------------------------------------|---|
| 1 | 354.0172 | Koppelingsas WWE 2480 1600 Nm cpl. | P.T.O. shaft WWE 2480 1600 Nm cpl. |
| 4 | 455.0020 | Buitenbeschermbuis met kap | Outside protection tube with cover |
| | 455.0153 | Buitenbeschermbuis cpl. met kap | Outside protection tube cpl. with cover |
| 5 | 455.0021 | Binnenbeschermbuis | Inner protection tube |
| | 455.0152 | Binnenbeschermbuis cpl. met kap | Inner protection tube cpl. with cover |
| 11 | 455.0048 | Groothoek-opsteekgaffel | Wide-angle set-up yoke |
| 12 | 455.0046 | Drukstift set (Agra 101) | Locking pin set (Agra 101) |
| 15 | 455.0054 | Flensgaffel | Flange yoke |
| 16 | 455.0112 | Nokkenschakelkoppeling 1600 Nm | Cam-type clutch 1600 Nm |
| 21 | 455.0056 | Groothoek-kruisstuk (incl. 7; 8) | Wide-angle cross-piece (incl 7; 8) |
| 22 | 342.0105 | Smeernippel M8x1 | Grease nipple M8x1 |
| 24 | 455.0049 | Dubbel-gaffel | Double yoke |
| 25 | 342.0105 | Smeernippel M8x1 | Grease nipple M8x126 |
| 26 | 455.0091 | Profielgaffel | Profiled yoke |
| 27 | 312.0130 | Spanstift 10x80-1481 | Clamping pin 10x80-1481 |
| 28 | 455.0093 | Sterbuis S4GA (binnen) | Profiled tube S4GA (inside) |
| 29 | 455.0094 | Sterbuis S5 (buiten) | Profiled tube S5 (outside) |
| 30 | 455.0092 | Profielgaffel | Profiled yoke |
| 31 | 455.0055 | Kruisstuk cpl. | Cross-piece cpl. |
| 51 | 455.0161 | Beschermtrichter | Protective cover |
| 53 | 455.0162 | Glijring | Sliding ring |
| 54 | 455.0154 | Beschermkap met schroef (incl.15) | Protective cover with screw (incl.15) |
| 55 | 455.0155 | Glijring | Sliding ring |
| 56 | 455.0088 | Steunring | Supporting ring |
| 57 | 455.0154 | Beschermtrichter | Safety cover |
| 59 | 450.0035 | Borgketting | Locking chain |

1.1. CAM-TYPE CLUTCH

NOKKENKOPPELING

| <i>Fig</i> | <i>SR-no.</i> | <i>Omschrijving</i> | <i>Description</i> |
|------------|---------------|--------------------------------|-------------------------|
| 16 | 455.0112 | Nokkenschakelkoppeling 1600 Nm | Cam-type clutch 1600 Nm |
| 41 | 455.0067 | Koppelingshuis | Clutch housing |
| 42 | 455.0078 | Schakelnok 1600 Nm | Switch cam 1600 Nm |
| 43 | 455.0065 | Blokkeernok | Locking cam |
| 44 | 455.0063 | Naaf | Hub |
| 45 | 455.0064 | Glijbus | Sliding sleeve |
| 46 | 455.0061 | Dichtring | Sealing ring |
| 47 | 313.0214 | Borgring I-150 | Locking ring I-150 |
| 48 | 455.0062 | Steunring | Supporting ring |
| 49 | 455.0096 | Klemkonus | Clamping cone |



2. ROTOR INTAKE TYPE-S WITH DRIVE

ROTORINVOER MET AANDRIJVING

Drawing no. : 975.0035

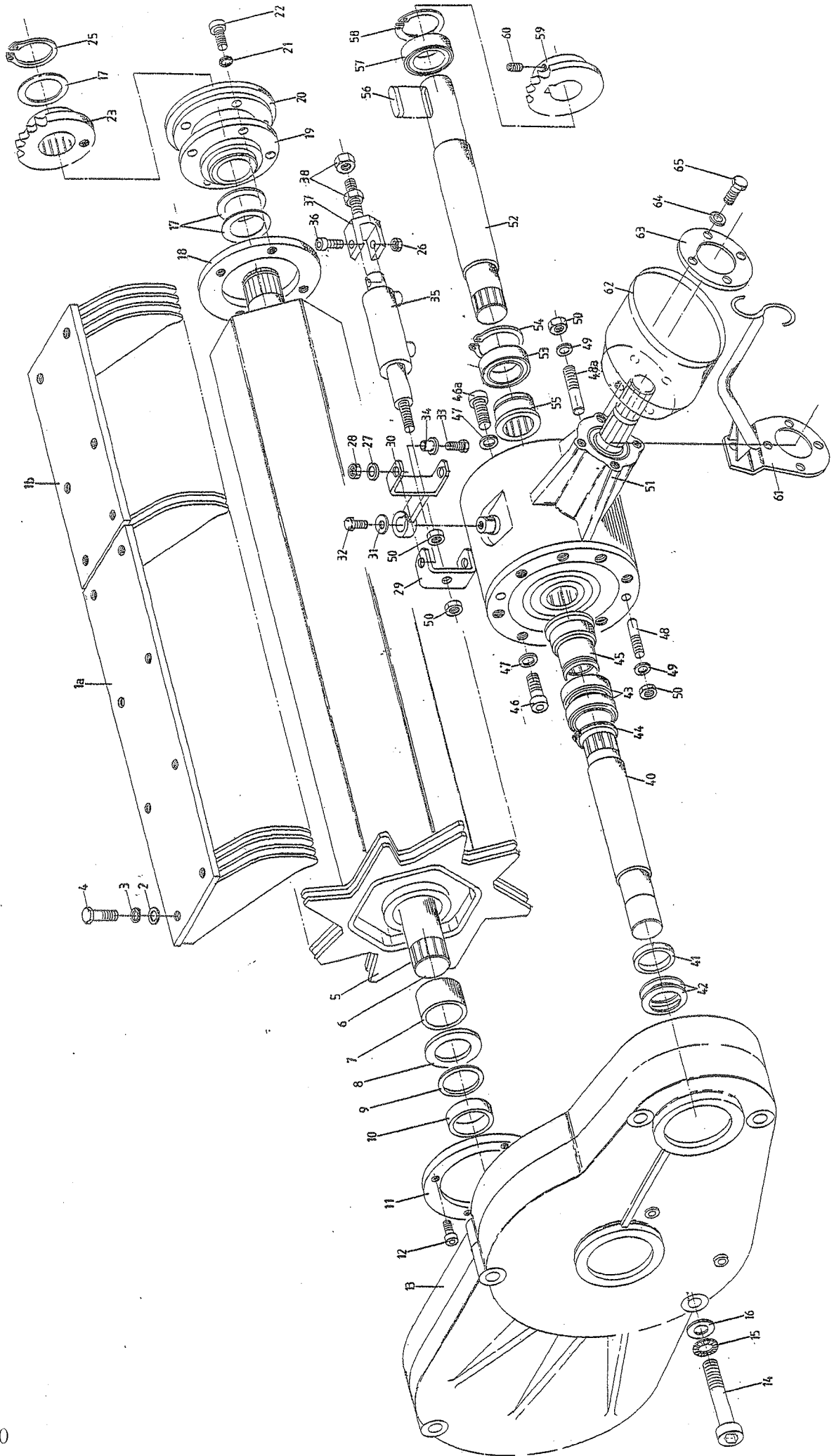
| <i>Fig.</i> | <i>SR-no.</i> | <i>Omschrijving</i> | <i>Description</i> |
|-------------|---------------|--|--------------------------------|
| 1a | 961.0542 | Afstrijkerlijst lang | Stripper frame long |
| 1b | 961.0543 | Afstrijkerlijst kort | Stripper frame short |
| | 934.0383 | Afstrijker | Stripper |
| 2 | 301.0803 | Bout M12×20 | Bolt M12×20 |
| 3 | 316.0902 | Tandveerring J12 | Toothed spring ring J12 |
| 4 | 316.0702 | Sluitring A13 | Washer A13 |
| 5 | 961.0930 | Rotor 8T/6K-A72×66 | Rotor 8T/6K-A72×66 |
| 6 | 921.0273 | Rotoras B72×66 | Rotor shaft B72×66 |
| 7 | 402.0211 | Glijlager N72100 | Slide bearing N72100 |
| 8 | 403.0135 | Loopschijf LS-75100 | Counting disc LS-75100 |
| 9 | 349.0089 | Vulschijf PS-75×95×1 | Filler disc PS-75×95×1 |
| | 349.0090 | Vulschijf PS-75×95×2 | Filler disc PS-75×95×2 |
| 10 | 926.0336 | Afstandbus 7228 | Spacing sleeve 7228 |
| 11 | 937.0016 | Afdichtschijf 60/M8 | Sealing disc 60/M8 |
| 12 | 302.0607 | Cilinderkopbout M8×20 | Cylinder head bolt M8×20 |
| 13 | 351.0074 | Rotortandwielkast A72×66 (zie blz. 17) | Rotor gearbox A72×66 (page 17) |
| 14 | 302.0637 | Cilinderkopbout M16×160 | Cylinder head bolt M16×160 |
| | 302.0639 | Cilinderkopbout M16×200 | Cylinder head bolt M16×200 |
| 15 | 316.0707 | Sluitring A17 | Washer A17 |
| 16 | 316.0919 | Tandveerring J16,5 | Toothed spring ring J16,5 |
| 17 | 349.0044 | Vulschijf 60×75×1 | Filler disc 60×75×1 |
| | 349.0047 | Vulschijf 60×75×2 | Filler disc 60×75×2 |
| 18 | 937.0017 | Afdichtschijf 60/M16 | Sealing disc 60/M16 |
| 19 | 900.0132 | Kogellager RME 60/192 | Ball bearing RME 60/192 |
| 20 | 936.0809 | Eindflens 60/8 | End flange 60/8 |
| 21 | 301.0836 | Bout M16×45 | Bolt M16×45 |
| 22 | 316.0919 | Tandveerring J16,5 | Toothed lock washer J16,5 |
| 23 | 953.0673 | Kettingwiel ¾"-26 | Chain wheel ¾"-26 |
| | 900.0211 | Breekbout M12×62 | Shearing bolt M12×62 |
| 25 | 313.0121 | Borgring A-60 | Locking ring A-60 |
| 37 | 456.0064 | Schotelring | Belleville washer |
| 38 | 456.0063 | Steunring | Ring |
| 39 | 456.0060 | Drijfjas B50×45 | Rotor drive shaft B50×45 |
| 40 | 401.0208 | Kogellager 6209-2RS | Ball bearing 6209-2RS |
| 41 | 456.0097 | Lagerbus | Bearing bushe |
| 42 | 306.0704 | Moer M12 | Nut M12 |
| 43 | 316.0702 | Sluitring A13 | Washer A13 |
| 44 | 456.0098 | Paspen 12M6x57 | Dowel 12M6x57 |
| 45 | 351.0066 | Tandwielkast WG-13>28 (zie blz.68) | Gear box WG-13>28 (page 68) |
| 46 | 302.0640 | Cilinderkopbout M16x50 | Cylinder head bolt M16x50 |
| 47 | 316.0919 | Veerring 16mm | Spring ring 16mm |
| 48 | 302.0623 | Cilinderkopbout M16x40 | Cylinder head bolt M16x40 |
| 49 | 456.0018 | Paspen 12M6x47 | Dowel 12M6x47 |
| 57 | 900.0116 | Beschermtrichter | Protective cover |
| 58 | 934.0136 | Versterkingsring | Reinforcing ring |
| 59 | 316.0906 | Veerring 12mm | Spring ring 10mm |
| 60 | 301.0805 | Bout M10x25 | Bolt M10x25 |
| 61 | 968.0344 | Slanghouder | Hose reels |

3. ROTOR INTAKE TYPE-SW AND V WITH DRIVE

ROTORINVOER MET AANDRIJVING

Drawing no. : 975.0039

| <i>Fig.</i> | <i>SR-no.</i> | <i>Omschrijving</i> | <i>Description</i> |
|-------------|---------------|--|--------------------------------|
| 1a | 961.0542 | Afstrijkerlijst lang | Stripper frame long |
| 1b | 961.0543 | Afstrijkerlijst kort | Stripper frame short |
| | 934.0383 | Afstrijker | Stripper |
| 2 | 301.0803 | Bout M12×20 | Bolt M12×20 |
| 3 | 316.0902 | Tandveerring J12 | Toothed spring ring J12 |
| 4 | 316.0702 | Sluitring A13 | Washer A13 |
| 5 | 961.0930 | Rotor 8T/6K-A72×66 | Rotor 8T/6K-A72×66 |
| 6 | 921.0273 | Rotoras B72×66 | Rotor shaft B72×66 |
| 7 | 402.0211 | Glijlager N72100 | Slide bearing N72100 |
| 8 | 403.0135 | Loopschijf LS-75100 | Counting disc LS-75100 |
| 9 | 349.0089 | Vulschijf PS-75×95×1 | Filler disc PS-75×95×1 |
| | 349.0090 | Vulschijf PS-75×95×2 | Filler disc PS-75×95×2 |
| 10 | 926.0336 | Afstandbus 7228 | Spacing sleeve 7228 |
| 11 | 937.0016 | Afdichtschijf 60/M8 | Sealing disc 60/M8 |
| 12 | 302.0607 | Cilinderkopbout M8×20 | Cylinder head bolt M8×20 |
| 13 | 351.0074 | Rotortandwielkast A72×66 (zie blz. 17) | Rotor gearbox A72×66 (page 17) |
| 14 | 302.0637 | Cilinderkopbout M16×160 | Cylinder head bolt M16×160 |
| | 302.0639 | Cilinderkopbout M16×200 | Cylinder head bolt M16×200 |
| 15 | 316.0707 | Sluitring A17 | Washer A17 |
| 16 | 316.0919 | Tandveerring J16,5 | Toothed spring ring J16,5 |
| 17 | 349.0044 | Vulschijf 60×75×1 | Filler disc 60×75×1 |
| | 349.0047 | Vulschijf 60×75×2 | Filler disc 60×75×2 |
| 18 | 937.0017 | Afdichtschijf 60/M16 | Sealing disc 60/M16 |
| 19 | 900.0132 | Kogellager RME 60/192 | Ball bearing RME 60/192 |
| 20 | 936.0809 | Eindflens 60/8 | End flange 60/8 |
| 21 | 301.0836 | Bout M16×45 | Bolt M16×45 |
| 22 | 316.0919 | Tandveerring J16,6 | Toothed lock washer J16,5 |
| 23 | 953.0673 | Kettingwiel ¾"-26 | Chain wheel ¾"-26 |
| 23a | 900.0211 | Breekbout M12×62 | Shearing bolt M12×62 |
| 25 | 313.0121 | Borgring A-60 | Locking ring A-60 |
| 26 | 306.0306 | Borgmoer M10 | Locking nut M10 |
| 27 | 316.0709 | Sluitplaat A6,4 | Washer A6,4 |
| 28 | 306.0311 | Borgmoer M6 | Locking nut M6 |
| 29 | 913.1185 | U-beugel met gat | U-bracket |
| 30 | 961.0997 | Schakelhefboom | Gear lever |
| 31 | 316.0713 | Sluitring R9 | Washer R9 |
| 32 | 301.0806 | Bout M8x20 | Bolt M8x20 |
| 33 | 301.0827 | Bout M6x25 | Bolt M6x25 |
| 34 | 402.0166 | Glijlager 6/10x16 | Slide bearing 6/10x16 |
| 35 | 355.3005 | Hydr cilinder D16/25-100 | Hydr cylinder D16/25-100 |
| 36 | 302.0602 | Cilinderkopbout M10x45 | Cylinder head bolt M10x45 |
| 37 | 921.0328 | Stelgaffel M12 | Adjusting fork M12 |
| 38 | 306.0302 | Borgmoer M12 | Locking nut M12 |

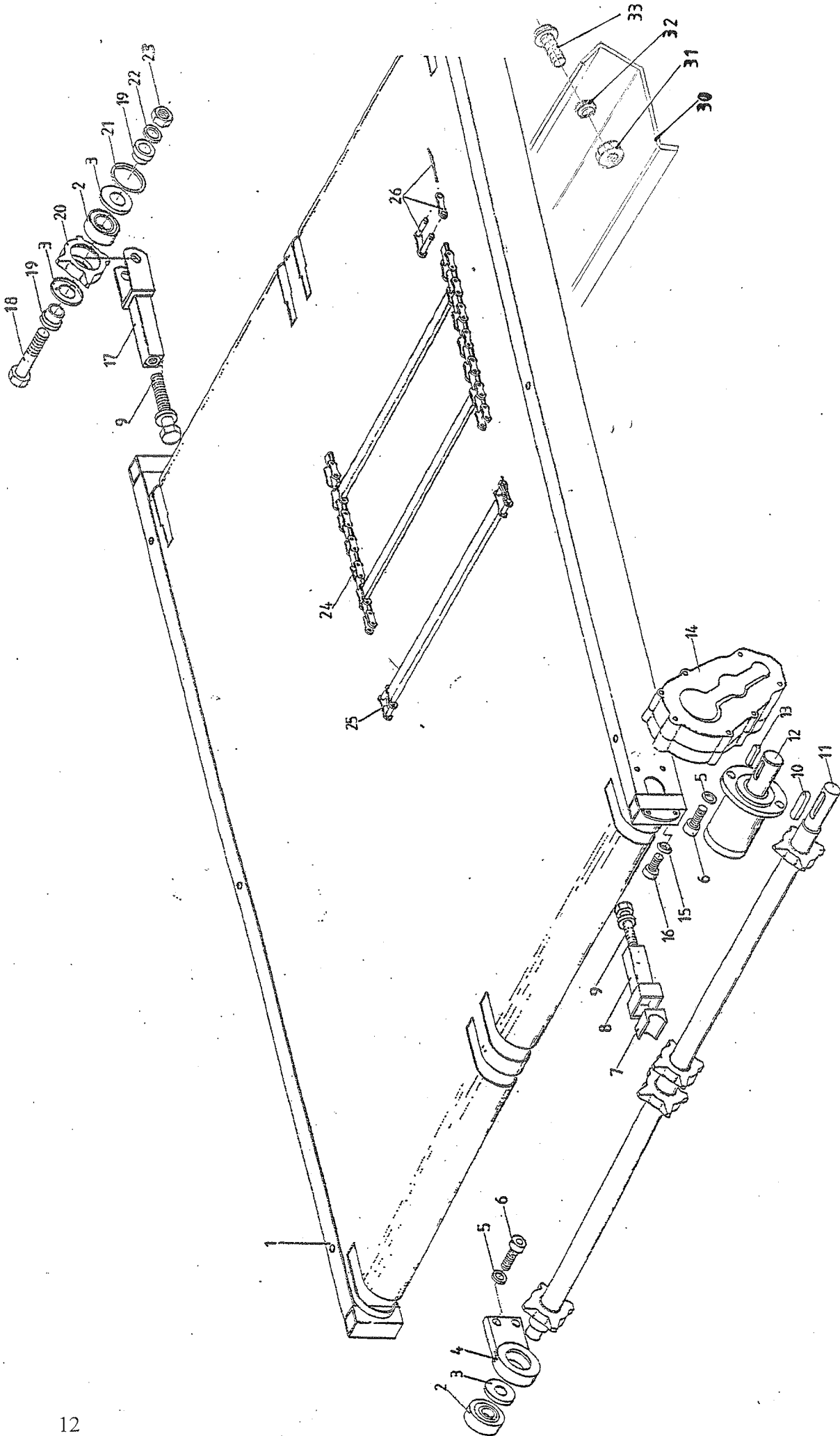


CONTINUATION ROTOR INTAKE TYPE-SW WITH GEAR

VERVOLG ROTORINVOER MET AANDRIJVING

Drawing no. : 975.0039

| <i>Fig.</i> | <i>SR-no.</i> | <i>Omschrijving</i> | <i>Description</i> |
|-------------|---------------|---|----------------------------------|
| 40 | 456.0059 | Rotordrijfas B50x45 | Rotor drive shaft B50x45 |
| 41 | 456.0063 | Steuning | Buche |
| 42 | 456.0064 | Schotelring | Belleville washer |
| 43 | 401.0231 | Kogellager 6012-2RS | Ball bearing 6012-2RS |
| 44 | 313.0121 | Borgring A-60 | Safety ring A-60 |
| 45 | 456.0099 | Schakelbus | Gear bush |
| 46 | 302.0640 | Cilinderkopbout M16x50 | Cylinder head bolt M16x50 |
| 46a | 302.0623 | Cilinderkopbout M16x40 | Cylinder head bolt M16x40 |
| 47 | 316.0919 | Veerring 16 mm | Spring washer 16 mm |
| 48 | 456.0098 | Paspen 12M6x57 | Dowel 12M6x57 |
| 48a | 456.0018 | Paspen 12M6x47 | Dowel 12M6x47 |
| 49 | 316.0702 | Sluitring A13 | Washer A13 |
| 50 | 306.0704 | Moer M12 | Nut M12 |
| 51 | 351.0076 | Schakeltandwielkast SG-13/28 (zie blz.69) | Gear box SG-13/28 (See page 69) |
| 52 | 456.0061 | Verdeler-drijfas | Beater drive shaft |
| 53 | 401.0275 | Kogellager 6011-2RS | Ball bearing 6011-2RS |
| 54 | 313.0124 | Borgring A-55 | Safety ring A-55 |
| 55 | 456.0100 | Splinesbus | Bush with splines |
| 56 | 315.0123 | Spie 12x8x45 | Key 12x8x45 |
| 57 | 401.0209 | Kogellager 6308-2RS | Ball bearing 6308-2RS |
| 58 | 313.0212 | Borgring I-90 | Safety ring I-90 |
| 59 | 353.0407 | Kettingwiel 1"-17/40 | Chain sprocket 1"-17/40 |
| 60 | 304.0114 | Stelschroef M10x20 | Set screw M10x20 |
| 61 | 968.0344 | Slanghouder | Hose reels |
| 62 | 900.0116 | Beschermtrichter | Protective cover |
| 63 | 934.0136 | Versterkingsring | Reinforcing ring |
| 64 | 316.0906 | Veerring 10mm | Spring ring 10mm |
| 65 | 301.0805 | Bout M10x25 | Bolt M10x25 |

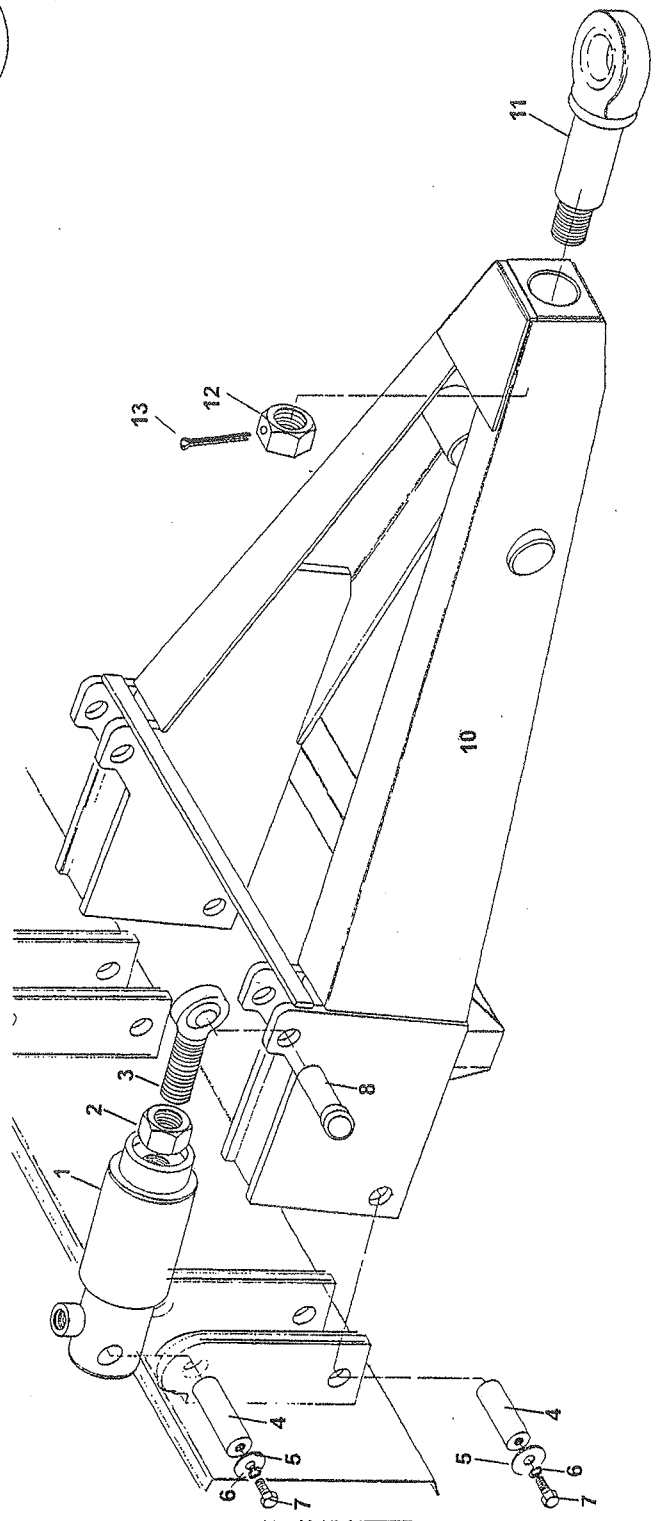
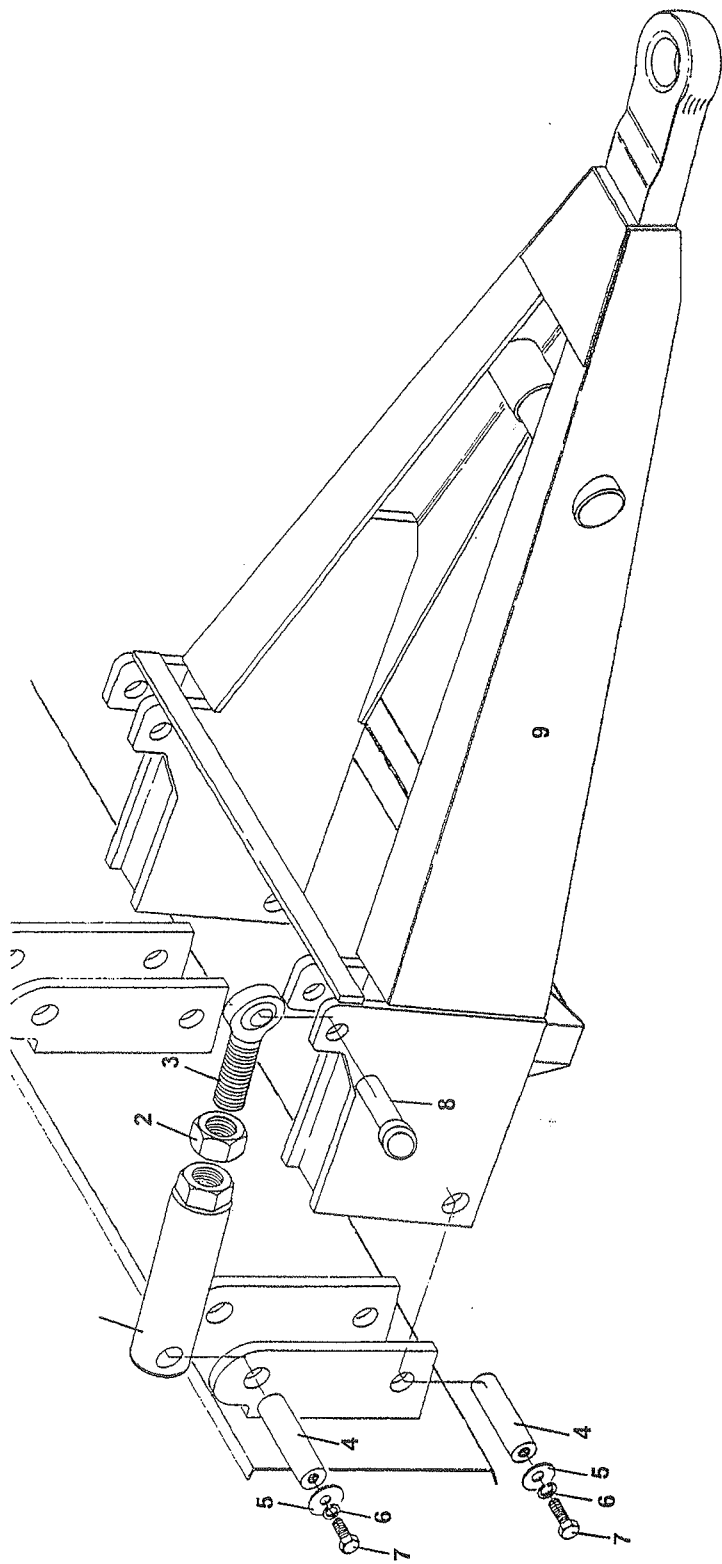


4. FLOOR CHAIN WITH DRIVE

BODEMKETTING MET AANDRIJVING

Drawing no.: 975.0019

| <i>Fig.</i> | <i>SR-no.</i> | <i>Omschrijving</i> | <i>Description</i> |
|-------------|---------------|---------------------------|-----------------------------|
| 2 | 401.0107 | Kogellager 6306-2RS | Ball bearing 6306-2RS |
| 3 | 361.0119 | Nilosring 6306-AV | Nilos ring 6306-AV |
| 4 | 941.0086 | Glandlagerhuis | Gland bearing housing |
| 5 | 316.0904 | Veerring 12 mm | Spring ring 12 mm |
| 6 | 302.0615 | Cilinderkopbout M12×35 | Cylinder head bolt M12×35 |
| 7 | 402.0154 | Steunlagerblok 45 | Suspension bearing block 45 |
| | 402.0165 | Steunlagerblok 50 | Suspension bearing block 50 |
| 8 | 966.0001 | Steunlagerhuis | Suspension bearing housing |
| 9 | 303.0958 | Spanbout M16 | Tensioning bolt M16 |
| 10 | 315.0121 | Spie 14×9×80 | Feather key 14×9×80 |
| 11 | 968.0361 | Transportkettingas | Transport chain pinion axle |
| 12 | 355.0510 | Hydromotor OMP-125 | Hydro Motor OMP-125 |
| 13 | 315.0103 | Spie 8×7×30 | Feather key 8×7×30 |
| 14 | 351.0024 | Zijkast Ø45 (zie blz. 19) | Side box Ø45 (page 19) |
| 15 | 316.0917 | Bolle veerring C12,5 | Spring ring C12,5 |
| 16 | 302.0630 | Cilinderkopbout M12×25 | Cylinder head bolt M12×25 |
| 17 | 967.0581 | Kettingspanner | Chain tensioner |
| 18 | 301.0745 | Bout M16×70 | Bolt M16×70 |
| 19 | 925.0481 | Klembus | Clamping bush |
| 20 | 942.0029 | Kettingspanwiel | Chain sprocket |
| 21 | 313.0401 | Seegersprengring SB72 | Seeger circlip-SB72 |
| 22 | 316.0901 | Veerring 16 mm | Spring ring 16 mm |
| 23 | 306.0702 | Moer M16 | Nut M16 |
| 24 | 969.1321 | Bodemketting (Rapide 100) | Floor chain (Rapide 100) |
| | 969.1322 | Bodemketting (Rapide 130) | Floor chain (Rapide 130) |
| 25 | 966.0069 | Kettingstaaf 22/2 | Chain rod 22/2 |
| 26 | 431.0122 | Verbindingsschalm | Joining link |
| 30 | 937.0995 | Afsluitplaat (Rapide 130) | Closing plate (Rapide 130) |
| 31 | 306.0306 | Borgmoer M10 | Locking nut M10 |
| 32 | 316.0705 | Sluitring A10,5 | Washer A10,5 |
| 33 | 303.0728 | Slotbout M10×25 | Bolt M10×25 |

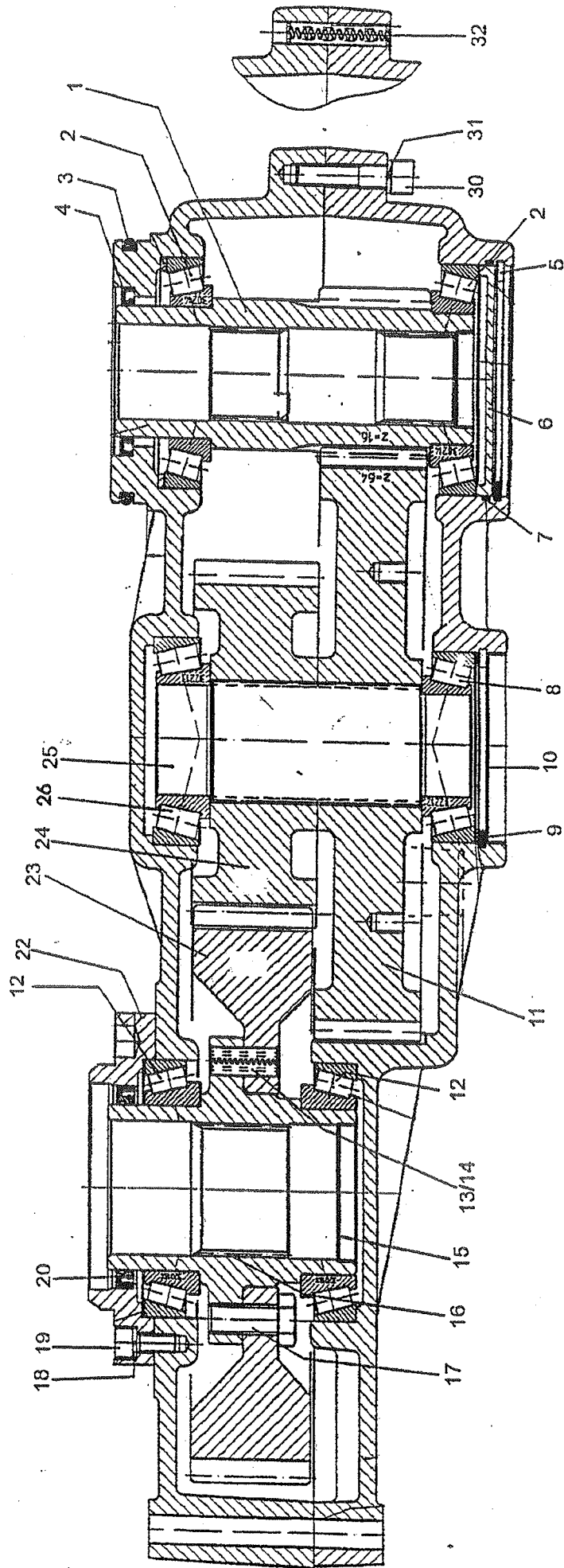


5. TOWBARS

TREKKOPPEN

Drawing no. 975.0005

| <i>Fig.</i> | <i>SR-no.</i> | <i>Omschrijving</i> | <i>Description</i> |
|-------------|---------------|-----------------------------------|--|
| 1 | 355.0773 | Hydraulische cilinder | Hydr. Cylinder |
| 1a | 454.0808 | Set afdichtingen | Set of seals |
| 2 | 306.0716 | Moer M39×3 | Nut M39×3 |
| 3 | 401.0222 | Stangkop GAR-40 DO | Rodend GAR-40 DO |
| 4 | 920.0753 | Scharnierpen-30 | Pivoting -pin 30 |
| 5 | 316.0742 | Sluitring 50/11-8 | Washer 50/11-8 |
| 6 | 316.0906 | Veerring 10 mm | Spring washer 10 mm |
| 7 | 301.0805 | Bout M10×25 | Bolt M10×25 |
| 8 | 921.0077 | Scharnieras-40 | Hinge pin-40 |
| 9 | 968.0832 | Trekkop KD/VO (Rap100) | Tow bar KD/VO (Rap100) |
| 10 | 968.0833 | Trekkop KD/DO incl. 11 (Rap.130) | Tow bar KD/DO incl.11 (Rap.130) |
| 11 | 900.0231 | Draaibaar trekoog (incl.12 en 13) | Revolving drawing eye (incl. 12 and 13) |
| 12 | 306.0718 | Moer M42×4,5 | Nut M42×4,5 |
| 13 | 375.0139 | Splitpen 8x90 | Split pin 8x90 |

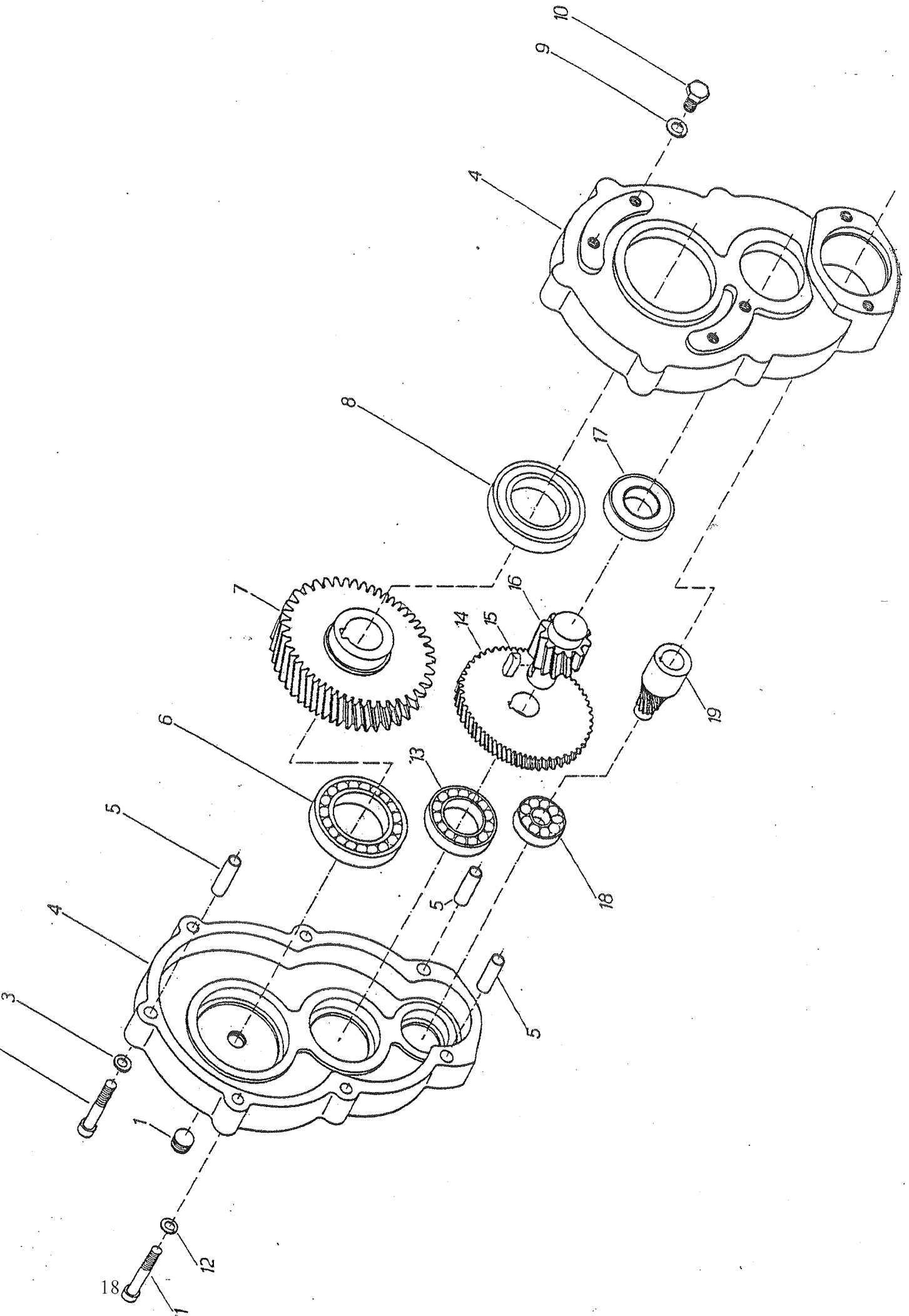


6. ROTOR GEARBOX.

ROTOR TANDWIELKAST

Article no. : 351.0074

| <i>Fig.</i> | <i>SR-no.</i> | <i>Omschrijving</i> | <i>Description</i> |
|-------------|---------------|-----------------------------|----------------------------|
| 1 | 456.0066 | Rondselas A50×45 Z=16 | Pinion Z=16 |
| 2 | 401.0197 | Kegellager 30214 | Cone bearing 30214 |
| 3 | 365.0013 | O-ring 130×5 | O-ring 130×5 |
| 4 | 361.0138 | Oliekeerring 70×90×7 | Oil catcher 70×90×7 |
| 5 | 313.0218 | Borgring I-125 | Locking ring I-125 |
| 6 | 456.0071 | Deksel-125 | Cover-125 |
| 7 | 365.0015 | O-ring 125×3 | O-ring 125×3 |
| 8 | 401.0145 | Kegellager 32212 | Cone bearing 32212 |
| 9 | 313.0216 | Borgring I-110 | Locking ring I-110 |
| 10 | 349.0098 | Deksel 110 | Cover 110 |
| 11 | 456.0067 | Tandwiel Z=64 | Gear wheel Z=64 |
| 12 | 401.0149 | Kegellager 32018 | Cone bearing 32018 |
| 13 | 312.0136 | Spanhuls 16×40 | Clamping sleeve 16×40 |
| 14 | 312.0135 | Spanhuls 10×40 | Clamping sleeve 10×40 |
| 15 | 349.0092 | Deksel 75 | Cover 75 |
| 16 | 456.0069 | Profielnaaf A72 | Nave with splines A72 |
| 17 | 302.0644 | Bout M16×1,5×40 | Bolt M16×1,5×40 |
| 18 | 316.0906 | Veerring 10 mm | Spring washer 10 mm |
| 19 | 302.0601 | Cilinderkopbout M10×25 | Cylinder head bolt M10×25 |
| 20 | 361.0149 | Oliekeerring 90×110×10 | Oil catcher 90×110×10 |
| 22 | 456.0071 | Lagerdeksel | Bearing cover |
| 23 | 456.0303 | Tandwiel Z=37-m8 | Gear wheel Z=37-m8 |
| 24 | 456.0304 | Tandwiel Z=23-m8 | Gear wheel Z=23-m8 |
| 25 | 456.0073 | Profielas | Shaft with splines |
| 26 | 401.0195 | Kegellager 32213 | Cone bearing 32213 |
| 30 | 302.0642 | Cilinderkopbout M12×45 | Cylinder head bolt M12×45 |
| | 302.0643 | Cilinderkopbout M12×55 | Cylinder head bolt M12×55 |
| | 302.0616 | Cilinderkopbout M12×100 | Cylinder head bolt M12×100 |
| 31 | 316.0904 | Veerring 12 mm | Spring washer 12 mm |
| 32 | 312.0137 | Spanhuls 12×60 | Clamping sleeve 12×60 |
| 33 | 456.019 | Ontluchttingsnippel M18×1,5 | Air release plug M18×1,5 |
| 34 | 355.0279 | Vulplug M18×1,5 | Drain plug M18×1,5 |
| 35 | 456.0058 | Aftapplug magn. M18×1,5 | Drain plug magn. M18×1,5 |
| 36 | 364.0025 | Dichtring 18×24×1,5 | Sealing ring 18×24×1,5 |

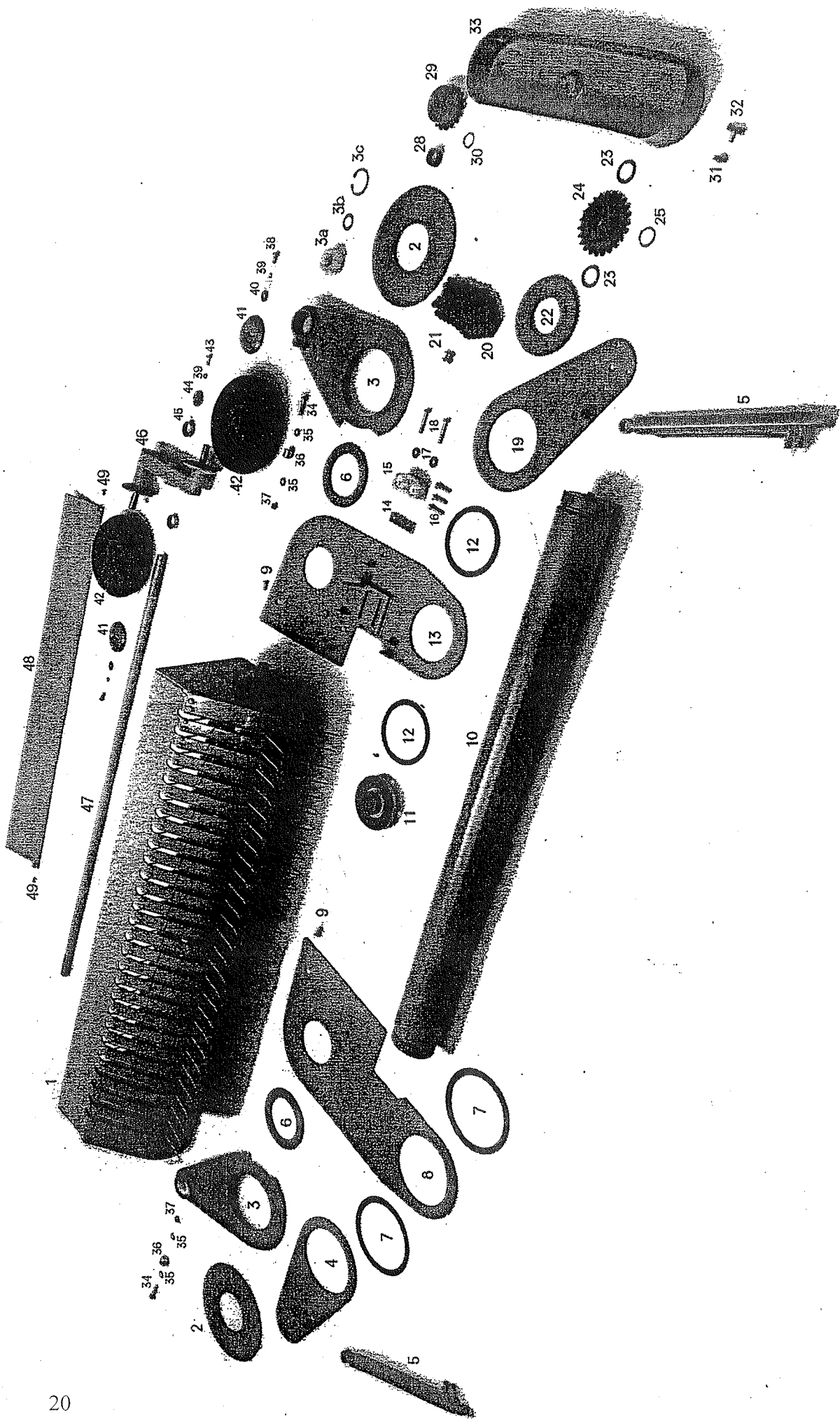


7. FLOOR DRIVING GEARBOX

BODEM-AANDRIJFKAST

Article no. : 351.0024

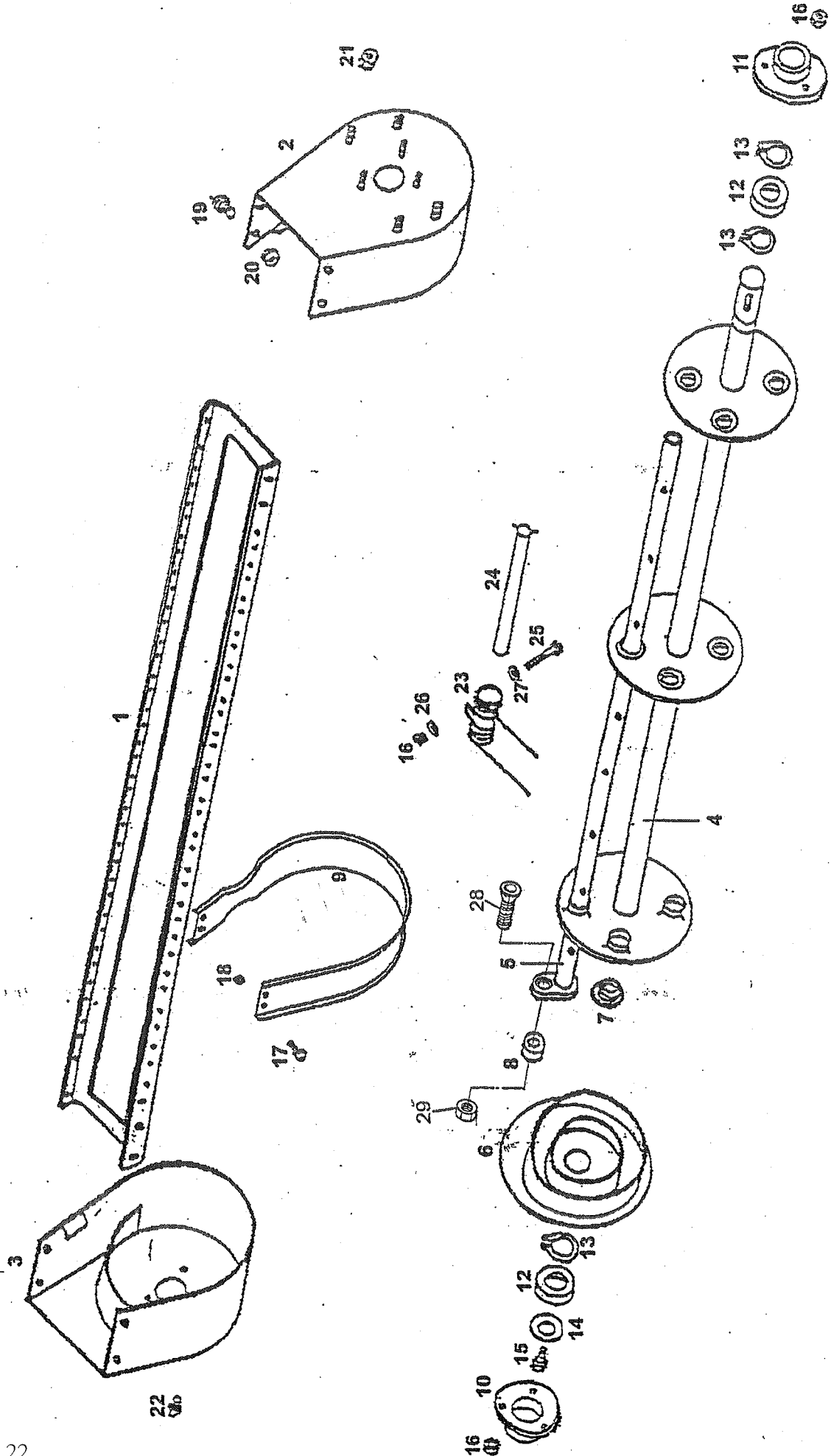
| <i>Fig.</i> | <i>SR-no.</i> | <i>Omschrijving</i> | <i>Description</i> |
|-------------|---------------|------------------------|---------------------------|
| 1 | 381.0111 | Draadstop M20×1,5 | Screw plug M20×1,5 |
| 2 | 302.0013 | Cilinderbout M10×65 | Cylinder head bolt M10×65 |
| 3 | 316.0906 | Veerring 10 mm | Spring washer 10 mm |
| 4 | 450.0766 | Tandwielkast (2-delig) | Gearcase (2-parts) |
| 5 | 312.0127 | Spanhuls 13×50 | Clamping sleeve 13×50 |
| 6 | 401.0176 | Kogellager 6013 | Ball bearing 6013 |
| 7 | 456.0043 | Tandwiel met gat Ø45 | Gear wheel with hole Ø45 |
| 8 | 401.0177 | Kogellager 6013-2RS | Ball bearing 6013-2RS |
| 9 | 316.0917 | Bolle veerring 12,5 mm | Spring washer 12,5 mm |
| 10 | 301.0807 | Bout M12×25 | Bolt M12×25 |
| 11 | 302.0613 | Cilinderkopbout M10×70 | Cylinder head bolt M10×70 |
| 12 | 316.0705 | Sluitring A 10,5 | Washer A 10,5 |
| 13 | 401.0118 | Kogellager 6009 | Ball bearing 6009 |
| 14 | 450.0769 | Tandwiel | Gear wheel |
| 15 | 315.0103 | Inlegspie 8×7×30 | Key 8×7×30 |
| 16 | 450.0768 | Tandrondsel | Pinion |
| 17 | 401.0175 | Kogellager 6207-2RS | Ball bearing 6207-2RS |
| 18 | 451.0031 | Kogellager 6304 | Ball bearing 6304 |
| 19 | 450.0767 | Tandas | Pinion |



8. PICK-UP SUSPENSIO WITH DRIVE (5-ROWS)

PICK-UP OPHANGING MET AANDRIJVING (5-BALKS)

| <i>Fig.</i> | <i>SR-no.</i> | <i>Omschrijving</i> | <i>Description</i> |
|-------------|---------------|---------------------------------------|---|
| 1 | 433.0108 | 5-balks Pick-up compleet (zie blz.23) | Pick-up, 5-rows, complete (See page 23) |
| 2 | 935.0425 | Buitenschijf | Outer disc |
| 3 | 968.0731 | Loopwielplaat | Runner wheel plate |
| 3a | 402.0203 | Glijlager N3536 | Slide bearing N3536 |
| 3b | 403.0129 | Axiaalschijf AS 3552 | Axial disc AS 3552 |
| 3c | 313.0215 | Binnenborgring | Locking ring, inside |
| 4 | 961.0527 | Rolplaat rechts Rap.100 | Roller plate Right Rap.100 |
| | 961.0529 | Pick-up hefplaat rechts Rap.130 | Pick-up lifting plate right Rap.130 |
| 5 | 355.0792 | Hydraulische cilinder (incl. 5a en b) | Hydr. cylinder (incl. a and b) |
| 5a | 402.0128 | Glijlager 20/20 | Slide bearing 20/20 |
| 5b | 454.0810 | Set afdichtingen t.b.v 5 | Set of seals for 5 |
| 6 | 934.0073 | Binnenschijf | Inner disc |
| 7 | 402.0208 | U-glijlager 192 | U-slide bearing 192 |
| 8 | 953.0731 | Pick-up plaat 60-re. | Pick-up-Plate 60-right |
| 9 | 303.0948 | Pl. verzonken bout M10x30 | Countersunk Bolt M10x30 |
| 10 | | Invoerrol (zie blz. 27) | Feed roller Rap.100 (See page 27) |
| 11 | 900.0132 | Flenslager RME 60/192 | Flange bearing RME 60/192 |
| 12 | 402.0208 | U-glijlager 192 | U-slide bearing 192 |
| 13 | 953.0742 | Pick-up plaat 60-li. | Pick-up-Plate 60-left |
| 14 | 912.0671 | Spanstrip TB-10 | Tensioning strip TB-10 |
| 14a | 302.0935 | Spanbout M10x140 | Tension bolt M10x140 |
| 15 | 353.0202 | Spanblok-50 | Tension block-50 |
| 17 | 316.0719 | Sluitplaat 10,5 mm | Washer 10,5 mm |
| 18 | 301.0726 | Bout M10x60 | Bolt M10x60 |
| 19 | 961.0526 | Rolplaat links Rap.100 | Roller plate left Rap.100 |
| 19a | 961.0528 | Pick-up hefplaat links Rap.130 | Pick-up lifting plate left Rap.130 |
| 20 | 356.0128 | Ketting ¾" - 77 | Chain ¾" - 77 |
| 21 | 356.0129 | Verbindingsschakel ¾" | Joining link ¾" |
| 22 | 936.0809 | Eindflens 60/8 | End flange 60/8 |
| 24 | 953.0673 | Kettingwiel ¾"-26 met breekbout | Chain wheel ¾" - 26 with shearing bolt |
| 24a | 900.0211 | Breekbout M12x62 | Shearing bolt M12x62 |
| 25 | 313.0121 | Borgring A-60 | Locking ring A-60 |
| 28 | 926.0164 | Ring - 27 | Ring - 27 |
| 29 | 353.0350 | Kettingwiel ¾"-19/35x31 | Chain wheel ¾" -19/35x31 |
| 30 | 313.0105 | Borgring A-35 | Safety ring A-35 |
| 31 | 306.0359 | Plaatmoer M8 zelfborgend | Self-locking plate nut M8 |
| 32 | 301.0801 | Bout M8x16 | Bolt M8x16 |
| 32a | 316.0722 | Sluitplaat 8,4 mm | Washer 8,4 mm |
| 33 | 375.0501 | Beschermkap | Protective cover |
| 34 | 301.0715 | Bout M12x45 | Bolt M12x45 |
| 35 | 316.0702 | Sluitring A13 | Washer A13 |
| 36 | 921.0024 | Aanslagnok | Stop boss |
| 37 | 306.0302 | Borgmoer M12 | Locking nut M12 |
| 38 | 301.0809 | Bout M10x20 | Bolt M10x20 |
| 39 | 316.0906 | Veerring 10 mm | Spring washer 10 mm |
| 40 | 316.0715 | Sluitring R 11 | Washer R 11 |
| 41 | 934.0474 | Afdekkapje buiten | Guard, outer |
| 42 | 432.0790 | Wiel 4.00x4-6 Pr. | Wheel 4.00x4-6 Pr. |
| 43 | 301.0811 | Bout M10x30 | Bolt M10x30 |
| 44 | 316.0742 | Sluitring 50/11-8 | Washer 50/11-8 |
| 45 | 402.0141 | Glijlager 35/20 | Slide bearing 35/20 |
| 46 | 967.0432 | Loopwielenarm | Runner wheel arm |
| 47 | 920.0839 | Loopwielenas | Runner wheel shaft |
| 48 | 968.0343 | Achterplaat | Back plate |
| 49 | 303.0912 | Pl. verzonken bout M8x20 | Countersunk bolt M8x20 |

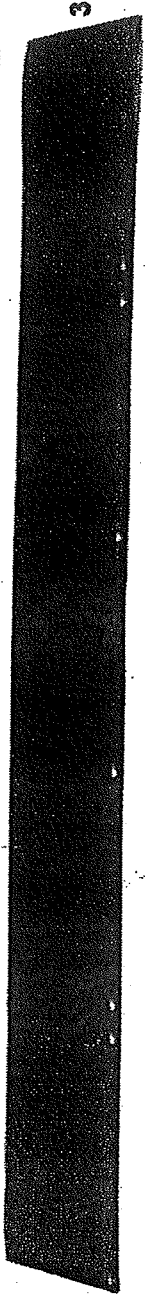


9. 5-ROWS PICK-UP

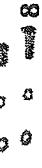
5-BALKS PICK-UP

Article no. complete pick-up: 433.0108

| <i>Fig.</i> | <i>SR-no.</i> | <i>Omschrijving</i> | <i>Description</i> |
|-------------|---------------|-----------------------|-----------------------------|
| 1 | - | Frame | Frame |
| 2 | 458.0045 | Eindkap links | End cover left |
| 3 | 458.0046 | Eindkap rechts | End cover right |
| 4 | 458.0047 | Aandrijfas | Drive shaft |
| 5 | 458.0048 | Veeras | Spring shaft |
| 6 | 458.0049 | Curve-plaat | Curve plate |
| 7 | 450.0938 | Nylonbus | Nylon sleeve |
| 8 | 401.0216 | Looprol LR-5201 | Roller bearing LR-5201 |
| 9 | 458.0050 | Geleidebeugel | Guide bracket |
| 10 | 458.0054 | Lagerhuis blind | Bearing housing |
| 11 | 458.0055 | Lagerhuis met gat | Bearing housing (with hole) |
| 12 | 401.0175 | Kogellager 6207-2RS | Ball bearing 6207-2RS |
| 13 | 313.0105 | Buitenborgring A35 | Locking ring A35, outside |
| 14 | 934.0236 | Ring Ø10/40×3 | Ring Ø10/40×3 |
| 15 | 301.0801 | Bout M8×16 | Bolt M8×16 |
| 16 | 306.0312 | Borgmoer M8 | Locking nut M8 |
| 17 | 301.0820 | Bout M6×16 | Bolt M6×16 |
| 18 | 306.0707 | Moer M6 | Nut M6 |
| 19 | 301.0809 | Bout M10×20 | Bolt 10×20 |
| 20 | 306.0701 | Moer M10 | Nut M10 |
| 21 | 306.0704 | Moer M12 | Nut M12 |
| 22 | 342.0103 | Smeernippel M10×1-180 | Grease nipple M10×1-180 |
| 23 | 458.0053 | Pick-up tand | Pick-up tine |
| 24 | 458.0051 | Tandveerbuis | Tine spring tube |
| 25 | 301.0747 | Bout M8×50 | Bolt M8×50 |
| 26 | 316.0713 | Sluistring R9 | Washer R9 |
| 27 | 458.0052 | Klemstukje | Clamping piece |
| 28 | 303.0930 | Verz. Bout M12×40 | Countersunk bolt M12×40 |
| 29 | 458.0068 | Moer M12 | Nut M12 |



5 6 7

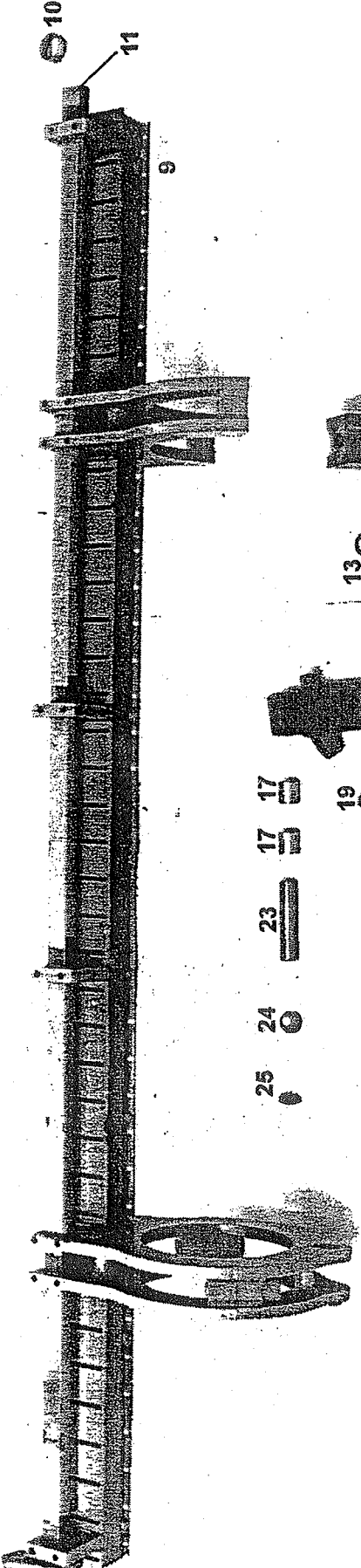


4



8

26



25 24 23 17 17 17



19



20



19



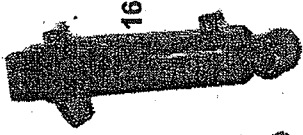
17



18



21



13



14



13



14



13



15



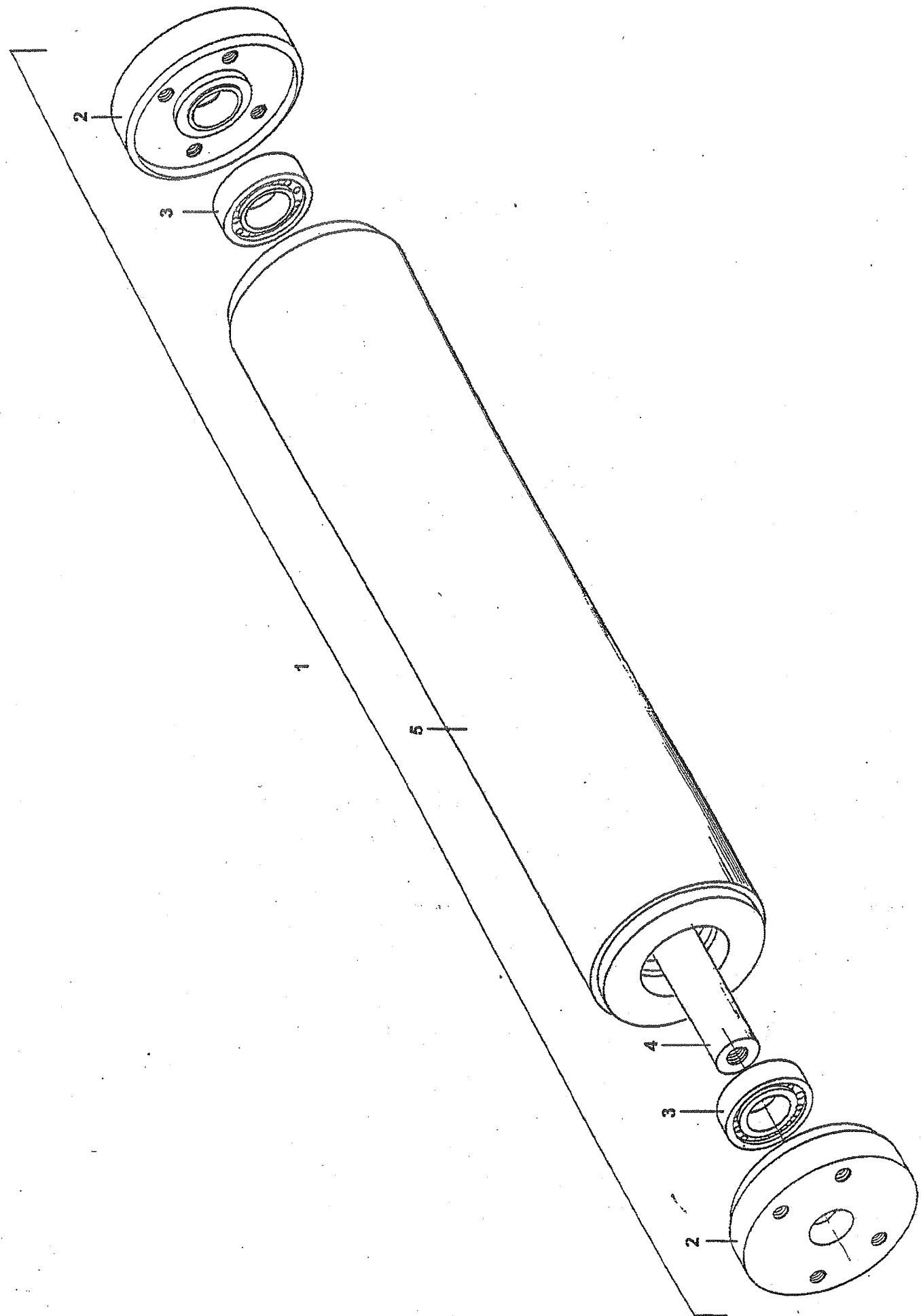
12



10. CHOPPING DEVICE

SNIJ-INRICHTING

| <i>Fig.</i> | <i>SR-no.</i> | <i>Omschrijving</i> | <i>Description</i> |
|-------------|---------------|--------------------------------------|--------------------------------------|
| 1 | 433.0102 | Mes | Knife |
| 2 | 912.0605 | Klemstrip voor messenbalk | Clamping strip for cutter bar |
| 3 | 374.0175 | Rubberen afdichtstrook | Rubber sealing |
| 4 | 912.0604 | Steunstrip | Support strip |
| 5 | 316.0705 | Sluistring A10,5 | Washer A10,5 |
| 6 | 316.0906 | Veerring 10 mm | Spring washer 10 mm |
| 7 | 301.0809 | Bout M10×20 | Bolt M10×20 |
| 8 | 301.0805 | Bout M10×25 | Bolt M10×25 |
| 9 | 960.0248 | Messenbalk (incl. 10 t/m 14) | Cutter bar (incl. 10 to 14) |
| 10 | 402.0130 | Glijlager 30/15 | Slide bearing 30/15 |
| 11 | 967.0040 | Messenborg-as | Knife-locking shaft |
| 12 | 281.0010 | Kunststof glijstrook 8×4 | Plastic sliding strip 8×4 |
| 13 | 316.0919 | Tandveerring J16,5 | Toothed spring ring J16,5 |
| 14 | 302.0622 | Cilinder kopbout M16×60 | Cylinder head bolt M16×60 |
| 15 | 301.0801 | Bout M8×16 | Bolt M8×16 |
| 16 | 355.0791 | Hydr. cilinder D25-50/138 (incl. 17) | Hydr. cylinder D20-40/138 (incl. 17) |
| | 454.0813 | Set afdichtingen t.b.v. 16 | Set of seals for 16 |
| 17 | 402.0129 | Glijlager 20/25 | Slide bearing 20/25 |
| 18 | 920.0751 | Scharnierpen | Pivoting pin |
| 20 | 355.0142 | Rechte fitting 1/2" | Straight fitting 1/2" |
| 20a | 355.0280 | Sluitschroef 1/2" | Closing screw 1/2" |
| 21 | 953.0716 | Hydr. membraanaccu 80bar (incl. 20) | Hydr. accumulator 80bar (incl. 20) |
| | 953.0717 | Hydr. membraanaccu 120bar (incl. 20) | Hydr. Accumulator 120bar (incl. 20) |
| 23 | 900.0379 | Bout M20×155 | Bolt M20×155 |
| 23a | 926.0197 | Busje L15 | Bush L15 |
| 23b | 306.0314 | Borgmoer M20 | Locking nut M20 |
| 24 | 306.0704 | Moer M12 | Nut M12 |
| 25 | 301.0804 | Bout M12×35 | Bolt M12×35 |
| 26 | 401.0201 | Looprol LR 202 NPP | Roller bearing LR 202 NPP |

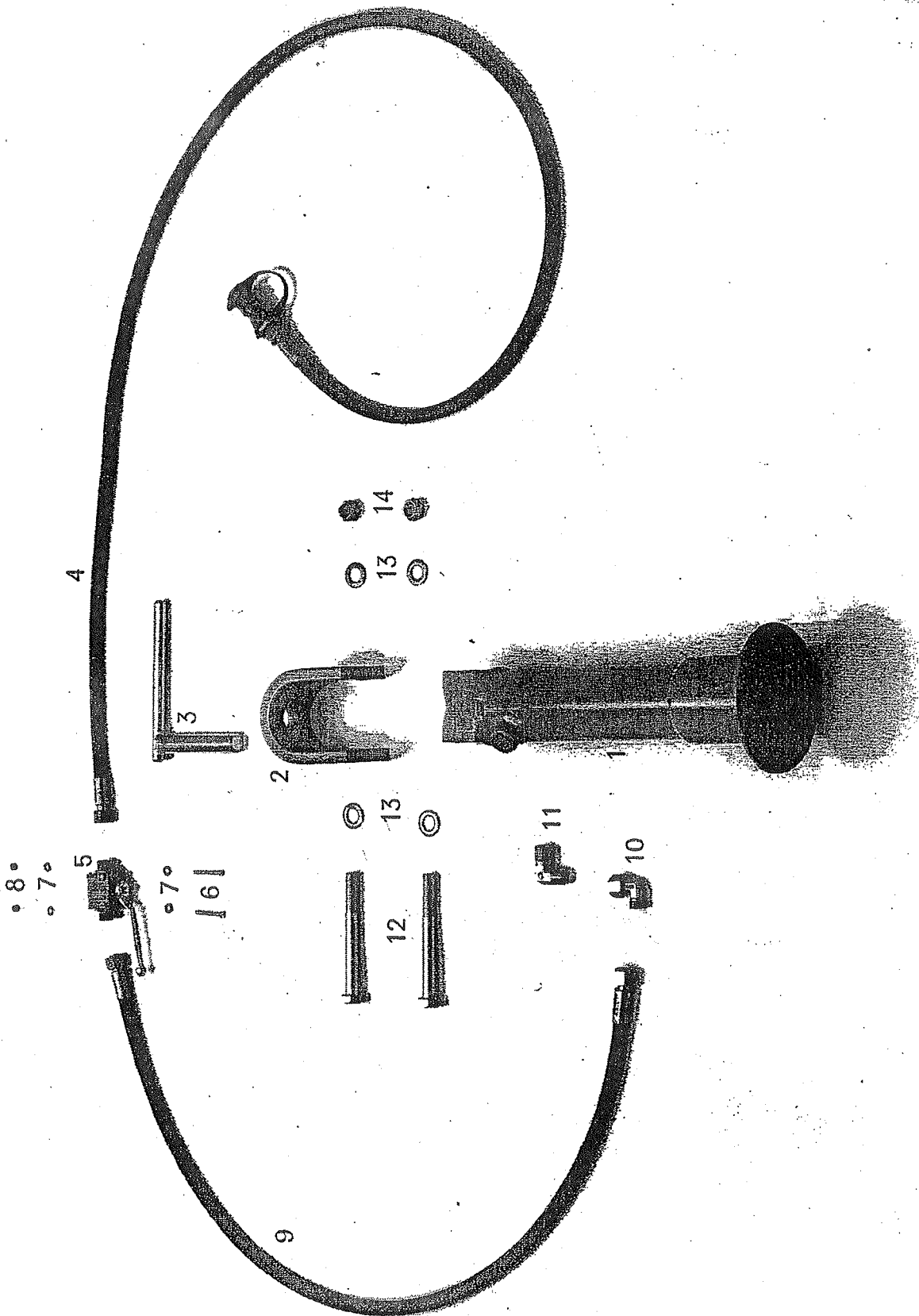


11. FEED ROLLER.

INVOERROL

Drawing no. 975.0010

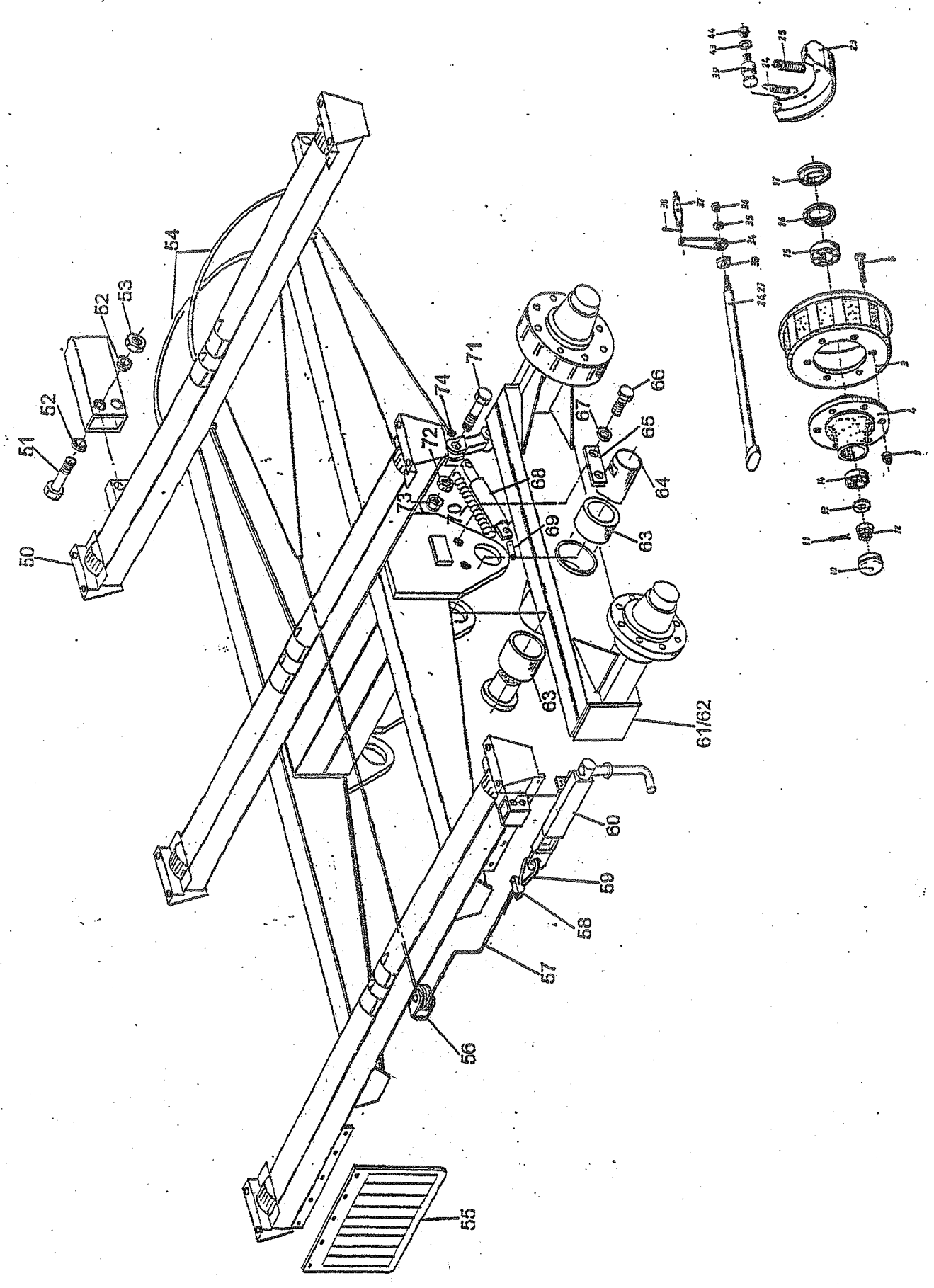
| <i>Fig.</i> | <i>SR-no.</i> | <i>Omschrijving</i> | <i>Description</i> |
|-------------|---------------|----------------------------|-------------------------------|
| 1 | 953.0503 | Invoerrol compleet Rap.100 | Feed roller complete Rap. 100 |
| | 953.0574 | Invoerrol compleet Rap.130 | Feed roller complete Rap. 130 |
| 2 | 920.0799 | Eindflens | End flange |
| 3 | 401.0175 | Kogellager 6207-2RS | Ball bearing 6207-2RS |
| 4 | 920.0801 | Rol as Rap.100 | Roller shaft Rap. 100 |
| | 921.0055 | Rol as Rap. 130 | Roller shaft Rap. 130 |
| 5 | 967.0338 | Invoerrol Rap. 100 | Feed roller Rap. 100 |
| | 968.0734 | Invoerrol Rap. 130 | Feed roller Rap. 130 |



12. HYDRAULIC PARKING SUPPORT

HYDRAULISCHE STEUNPOOT

| <i>Fig.</i> | <i>SR-no.</i> | <i>Omschrijving</i> | <i>Description</i> |
|-------------|---------------|--------------------------------|------------------------------|
| 1 | 967.0781 | Steunpootcilinder | Parking support cylinder |
| 1a | 454.0059 | Set afdichtingen t.b.v. 1 | Set of seals for 1 |
| 2 | 911.0784 | Scharnierstuk | Hinge piece |
| 3 | 967.0780 | Grendelpen | Locking pin |
| 4 | 417.0406 | Hydr. slang | Hydr. Hose |
| 5 | 355.0667 | Tweeweg kogelkraan NW10 | Two-way ball valve NW10 |
| 6 | 303.0952 | Cilinder kopschroef M5×45 | Cylinder head screw M5×45 |
| 7 | 316.0730 | Sluitring A5,3 | Washer A5,3 |
| 8 | 306.0335 | Borgmoer M5 | Locking nut M5 |
| 9 | 417.0404 | Hydr. slang | Hydr. Hose |
| 10 | 355.0197 | Instelbare haakse koppeling 12 | Adjustable angle coupling 12 |
| 11 | 355.0124 | Haakse koppeling | Angle coupling |
| 12 | 301.0783 | Bout M16×140 | Bolt M16×140 |
| 13 | 316.0707 | Sluitring A17 | Washer A17 |
| 14 | 306.0303 | Borgmoer M16 | Locking nut M16 |

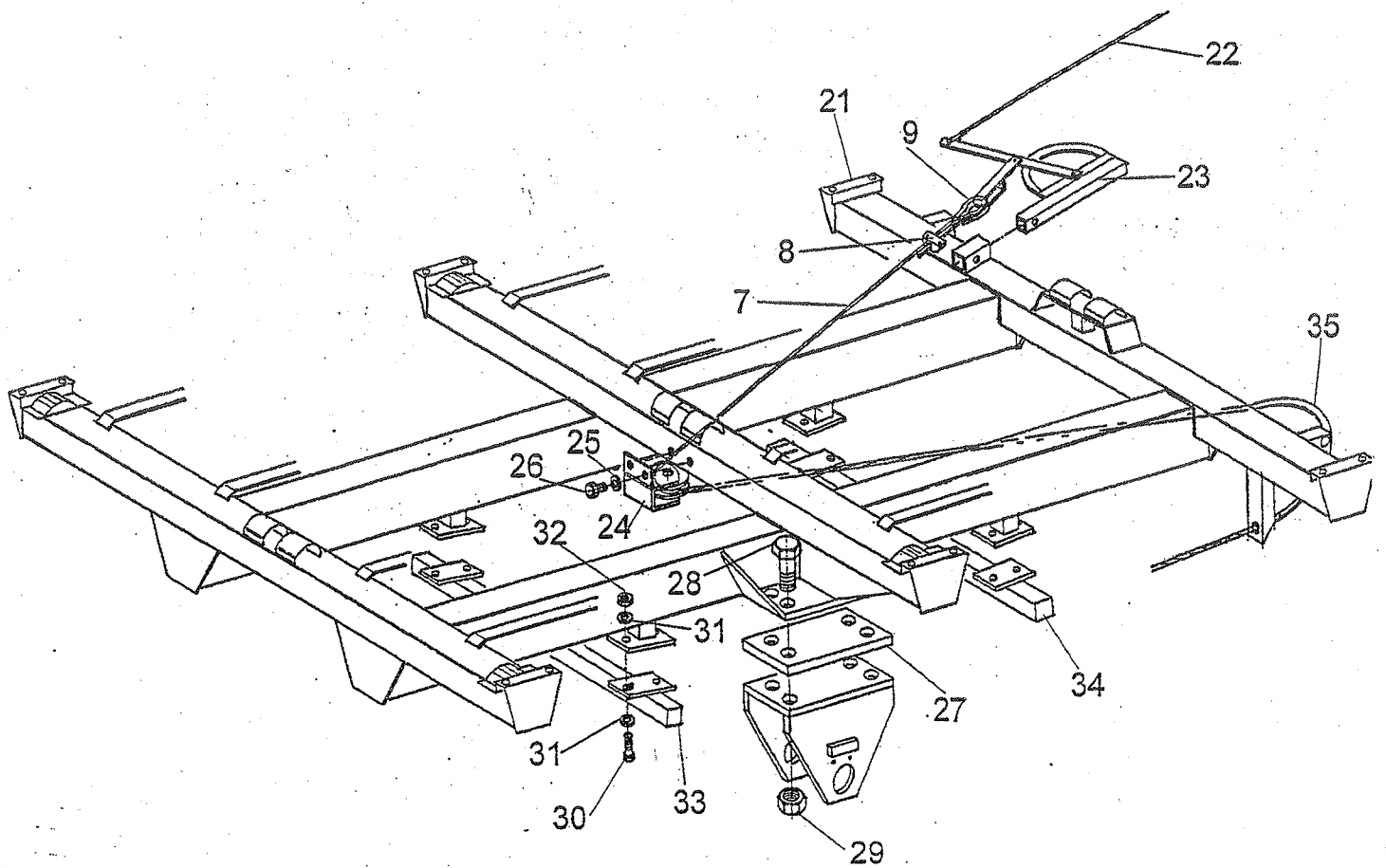
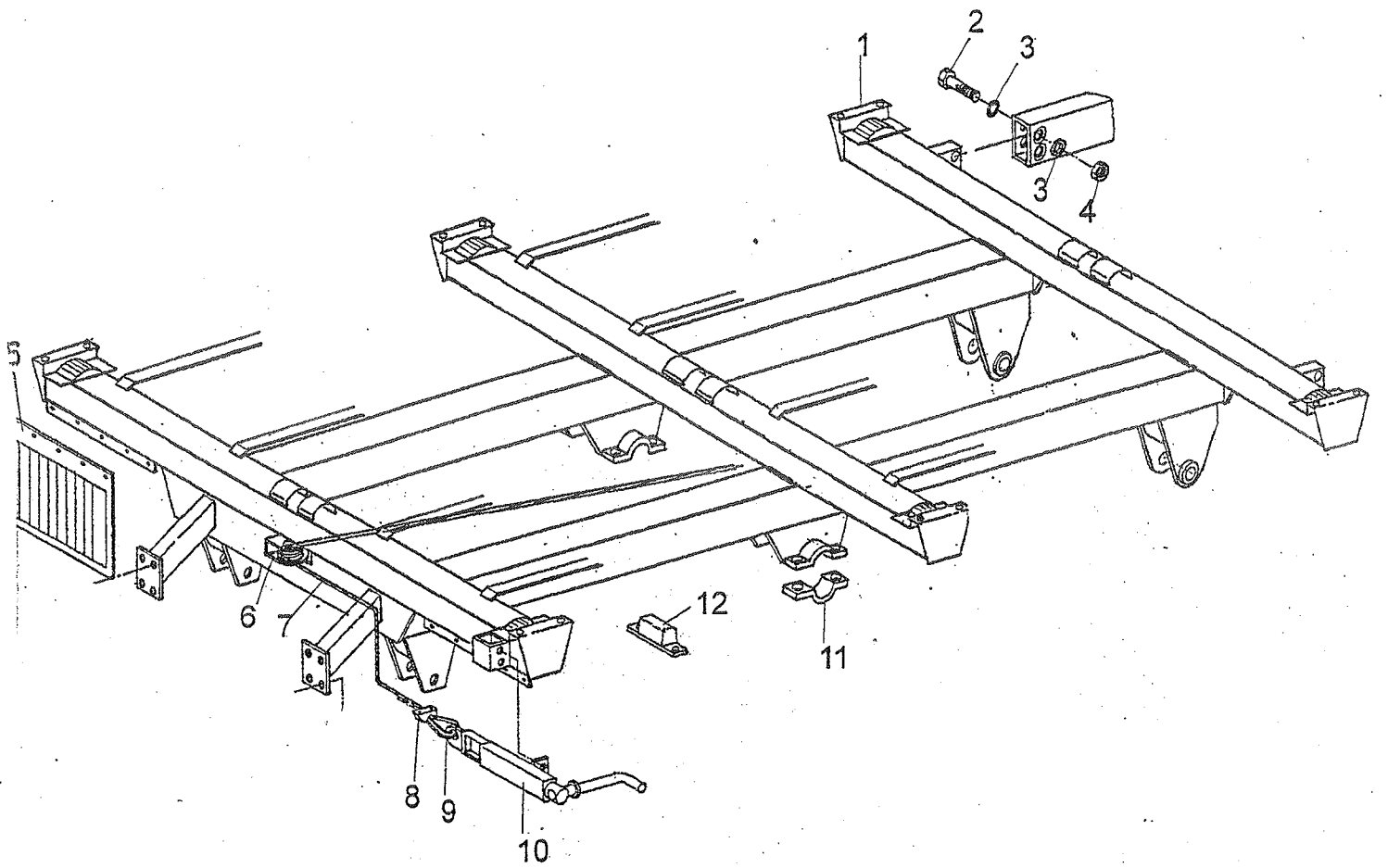


13. TANDEM FRAME TAP-BPW RAPIDE 100

TANDEMFRAME TAP-BPW RAPIDE 100

Drawing no.975.0026

| <i>Fig.</i> | <i>SR-no.</i> | <i>Omschrijving</i> | <i>Description</i> |
|-------------|---------------|------------------------|------------------------------|
| 3 | 452.0042 | Remtrommel 318-20 | Brake drum 318-20 |
| 4 | 452.0041 | Wielnaaf 7008-20 | Wheel hub 7008-20 |
| 5 | 450.0835 | Wielbout M20×54 | Wheel bolt M20×54 |
| | 450.0629 | Wielbout M20×70 | Wheel bolt M20×70 |
| 9 | 450.0417 | Wielmoer M20 | Wheel nut M20 |
| 9a | 450.0631 | Conische Veerring 20mm | Conical spring ring 20mm |
| 10 | 450.0634 | Naafdop 90mm | Hub cap 90mm |
| 11 | 375.0124 | Splitpen 6mm | Split pin 6mm |
| 12 | 306.0317 | Kroonmoer M36×1,5 | Castle nut M36×1,5 |
| 13 | 316.0739 | Schijf 37mm | Disc 37mm |
| 14 | 450.0319 | Kegellager 30210 | Cone bearing 30210 |
| 15 | 401.0147 | Kegellager 32014 | Cone bearing 32014 |
| 16 | 452.0011 | Vetkeerring 32014 | Oil catcher 32014 |
| 17 | 452.0010 | Steurring 32014 | Supporting ring 32014 |
| 24 | 450.0274 | Trekveer | Draw spring |
| 25 | 450.0531 | Trekveer | Draw spring |
| 26 | 452.0xxx | Remas | Brake shaft |
| 34 | 967.0805 | Remhefboom | Brake lever |
| 39 | 452.0021 | Rembout 318 | Brake bolt 318 |
| 43 | 316.0918 | Veerring 24mm | Spring washer 24mm |
| 44 | 306.0717 | Moer M24×1,5 | Nut M24×1,5 |
| 50 | 961.0935 | Tandemframe TAP | Tandem frame TAP |
| 51 | 301.0771 | Bout M20×90 | Bolt M20×90 |
| 52 | 316.0311 | Conische veerring 20mm | Conical spring ring 20mm |
| 53 | 306.0706 | Moer M20 | Nut M20 |
| 55 | 374.0167 | Spatlap 500×400 | Mud quard 500×400 |
| 61 | 435.0932 | Pendelarm 1050-Li. | Oscillating lever 1050-Left |
| 62 | 435.0933 | Pendelarm 1050-Re. | Oscillating lever 1050-Right |
| 63 | 450.0950 | Glijlagerbus | Slide-bearing bush |
| 64 | 435.0907 | Pendelas | Oscillating axle |
| 65 | 435.0908 | Borgplaat | Locking plate |
| 66 | 301.0825 | Bout M16×30 | Bolt M16×30 |
| 67 | 316.0901 | Veerring 16mm | Spring washer 16mm |
| 68 | 355.0774 | Remcilinder | Brake cylinder |
| 68a | 454.0802 | Set afdichtingen | Set of seals |
| 69 | 312.0113 | Spanstift 6mm | Clamping pin |
| 70 | 331.0106 | Trekveer | Draw spring |
| 71 | 301.0759 | Bout M16×80 | Bolt M16×80 |
| 72 | 306.0702 | Moer M16 | Nut M16 |
| 73 | 306.0303 | Borgmoer M16 | Locking nut M16 |

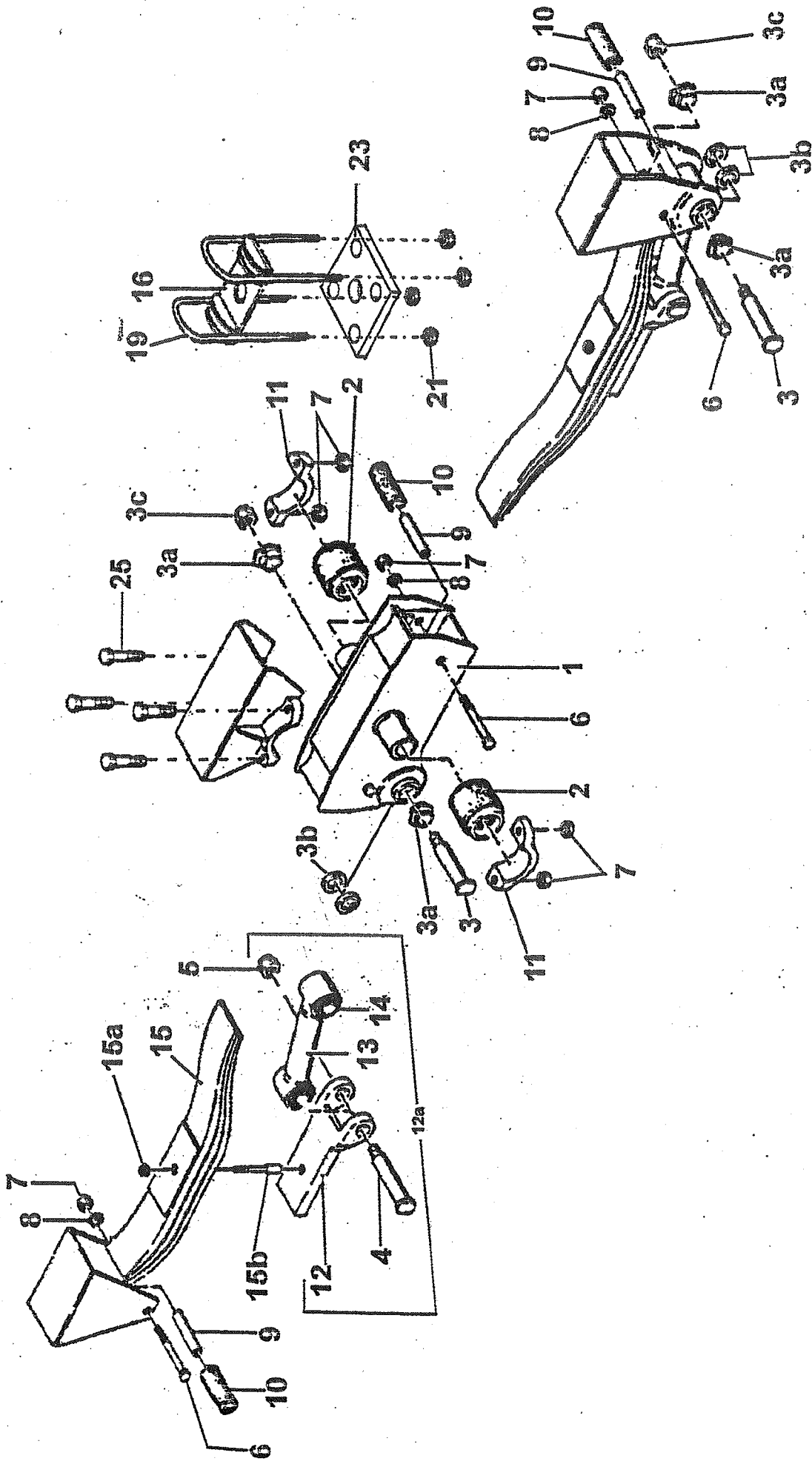


14. TANDEM FRAME RAPIDE 130

TANDEMFRAME RAPIDE 130

Drawing no.975.0027

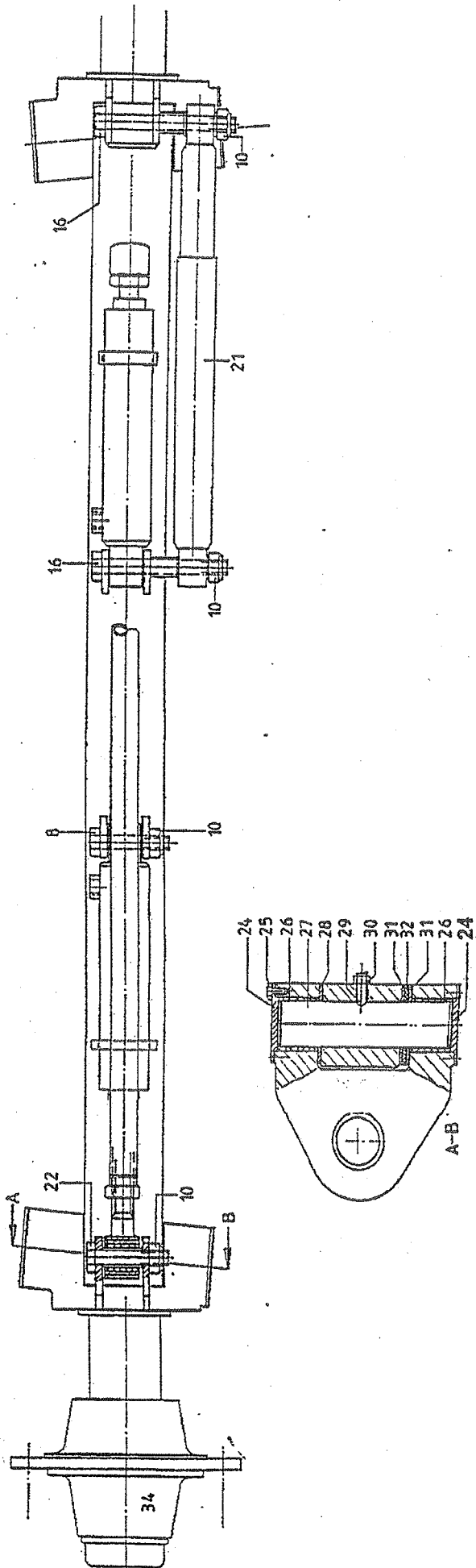
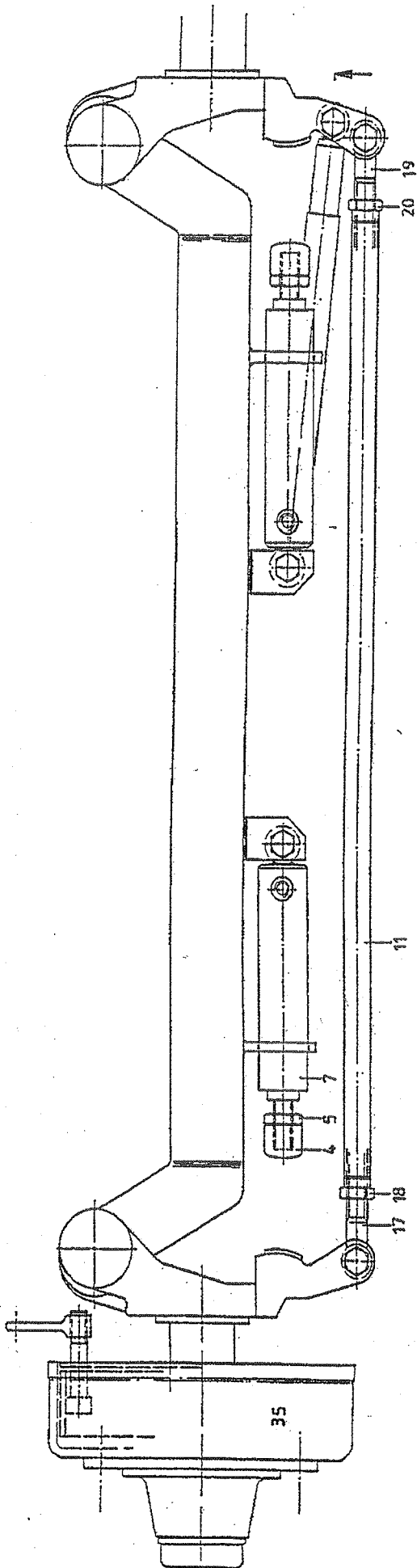
| <i>Fig.</i> | <i>SR-no.</i> | <i>Omschrijving</i> | <i>Description</i> |
|-------------|---------------|------------------------|--------------------------|
| 1 | 961.0131 | Tandemframe | Tandem frame |
| 2 | 301.0771 | Bout M20×90 | Bolt M20×90 |
| 3 | 316.0311 | Conische veerring 20mm | Conical spring ring 20mm |
| 4 | 306.0706 | Moer M20 | Nut M20 |
| 5 | 374.0167 | Spatlap 500×400 | Mud quard 500×400 |
| 11 | 462.0555 | Lagerschaal | Bearing cup |
| 12 | 376.0158 | Rubber aanslagblok | Bumpstop |
| 21 | 961.0110 | Tandemframe | Tandemframe |
| 28 | 301.0790 | Bout M24x2-75 | Bolt M24x2-75 |
| 29 | 306.0333 | Borgmoer M24x2 | Locking nut M24x2 |
| 30 | 301.0804 | Bout M12x35 | Bolt M12x35 |
| 31 | 316.0702 | Sluitring A13 | Washer A13 |
| 32 | 306.0302 | Borgmoer M12 | Locking nut M12 |
| 33 | 961.0747 | Pendelstop-achter | Bumpstop-rear |
| 34 | 961.0747 | Pendelstop-achter | Bumpstop-front |



15. GIGANT SPRING ASSEMBLIES

GIGANT VEERSTELLEN

| <i>Fig.</i> | <i>SR-no.</i> | <i>Omschrijving</i> | <i>Description</i> |
|-------------|---------------|------------------------------------|--|
| 1 | 462.0513 | Pendelstuk | Oscillating piece |
| 2 | 450.0925 | Rubberbus | Rubber bushing |
| 3 | 462.0538 | Excenterbout (incl.3a, b en c) | Eccentric bolt (incl. 3a, band c) |
| 4 | 450.0926 | Veerbout M27×1,5 (incl. 5) | Suspension bolt (incl. 5) |
| 5 | 450.0927 | Moer M27×1,5 | Nut M27×1,5 |
| 6 | 301.0716 | Bout M16×130 | Bolt M16×130 |
| 7 | 306.0303 | Borgmoer M16 | Locking nut M16 |
| 8 | 316.0707 | Sluitring A17 | Sealing ring A17 |
| 9 | 926.0273 | Buisje L=96 | Bush L=96 |
| 10 | 462.0556 | Rubberrol L=80 | Rubber roller L=80 |
| 11 | 462.0555 | Lagerschaal middenstoel | Bearing cup middle block |
| 12 | - | Veertrekplaat | Spring drawing plate |
| 12a | 462.0531 | Trekveearm 80/244 Rap.100 | Draw spring arm 80/244 Rap.100 |
| | 462.0430 | Trekveearm 80/353 Rap.130 | Draw spring arm 80/353 Rap.130 |
| 13 | - | Veertrekarm (incl. 14) | Spring draw arm (incl. 14) |
| 14 | 450.0944 | Rubberbus | Rubber bushing |
| 15 | 462.0521 | Veerpakket 80/1200 Rap.100 | Spring assembly 80/1200 Rap.100 |
| | 462.0520 | Veerpakket 80/1400 Rap.130 | Spring assembly 80/1400 Rap.130 |
| 16 | 968.0372 | Veerplaat 80/100 Rap.100 en 130 | Spring plate 80/100 Rap.100 and 130 |
| 19 | 462.0542 | Veerstrop M20×320 Rap.100 en 130 | Spring U-bolt M20×320 Rap.100 and 130 |
| 21 | 462.0551 | Borgmoer M20×2,5 Rap.100 en 130 | Locking nut M20×2,5 Rap.100 and 130 |
| 23 | 912.0172 | Veer-asplaat 80/100 Rap.100 en 130 | Spring axle plate 80/100 Rap.100 and 130 |
| 25 | 301.0745 | Bout M16×70 | Bolt M16×70 |

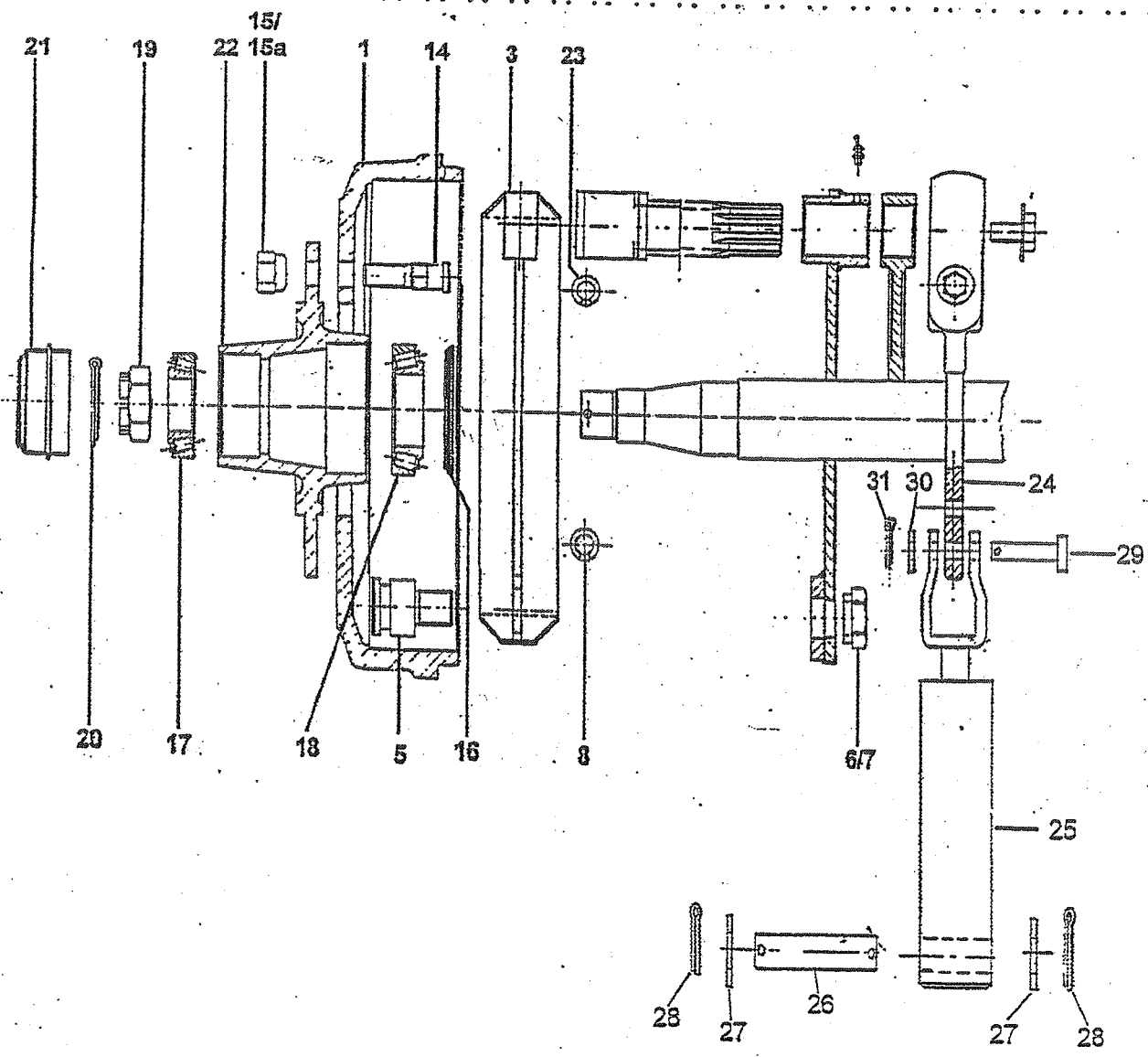
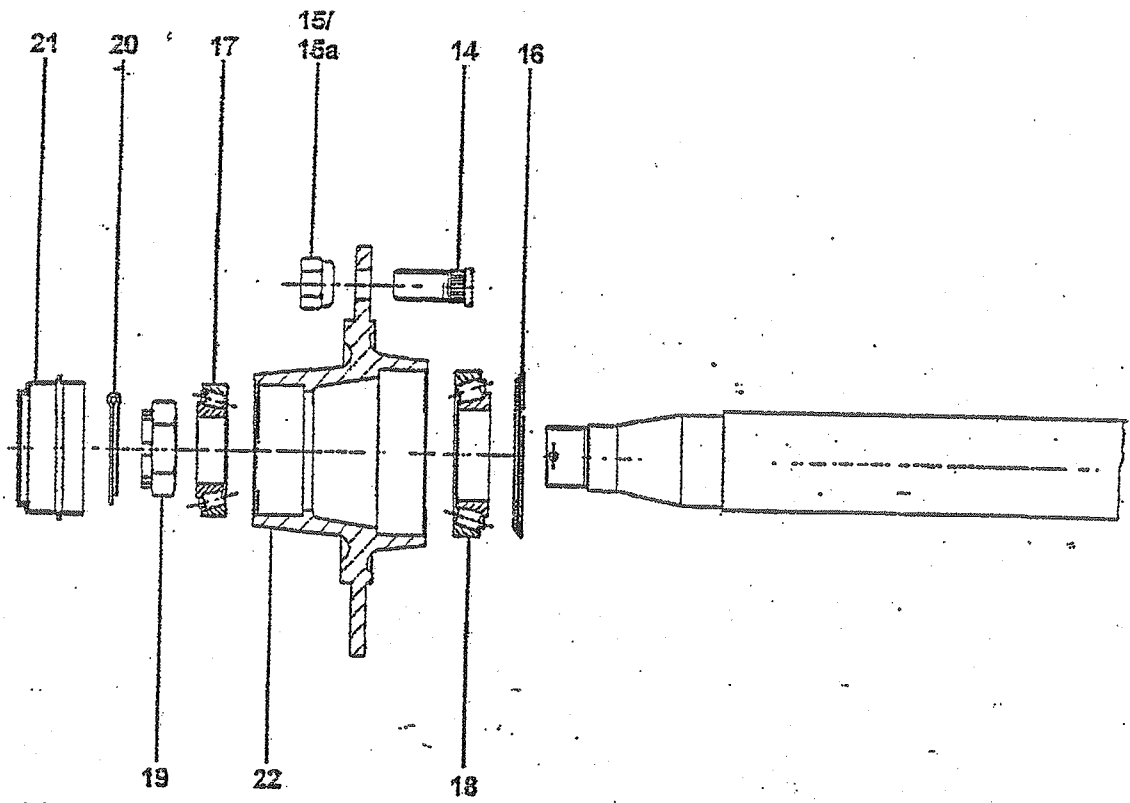


16. TRACK FOLLOWING WHEEL AXLE RAPIDE 130.

MEELOPEND GESTUURDE WIELAS RAPIDE 130

Drawing no. 975.0014

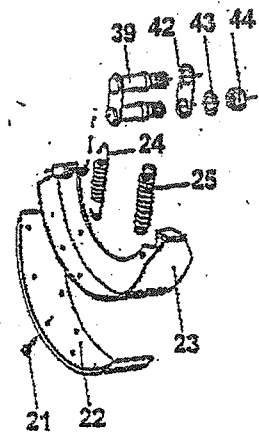
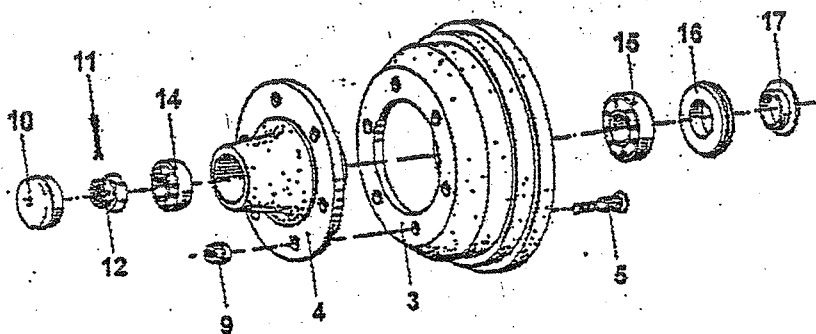
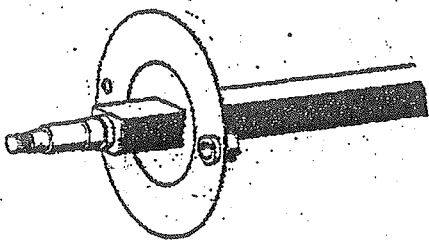
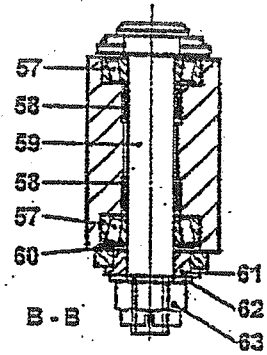
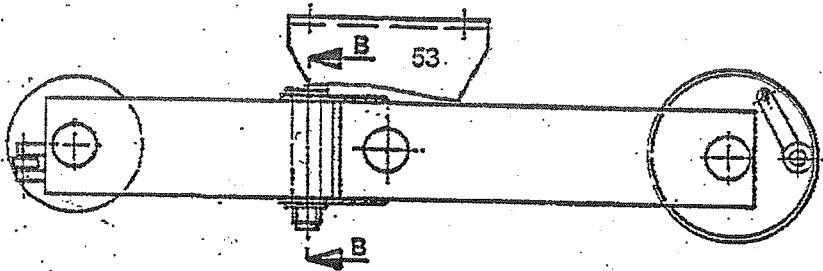
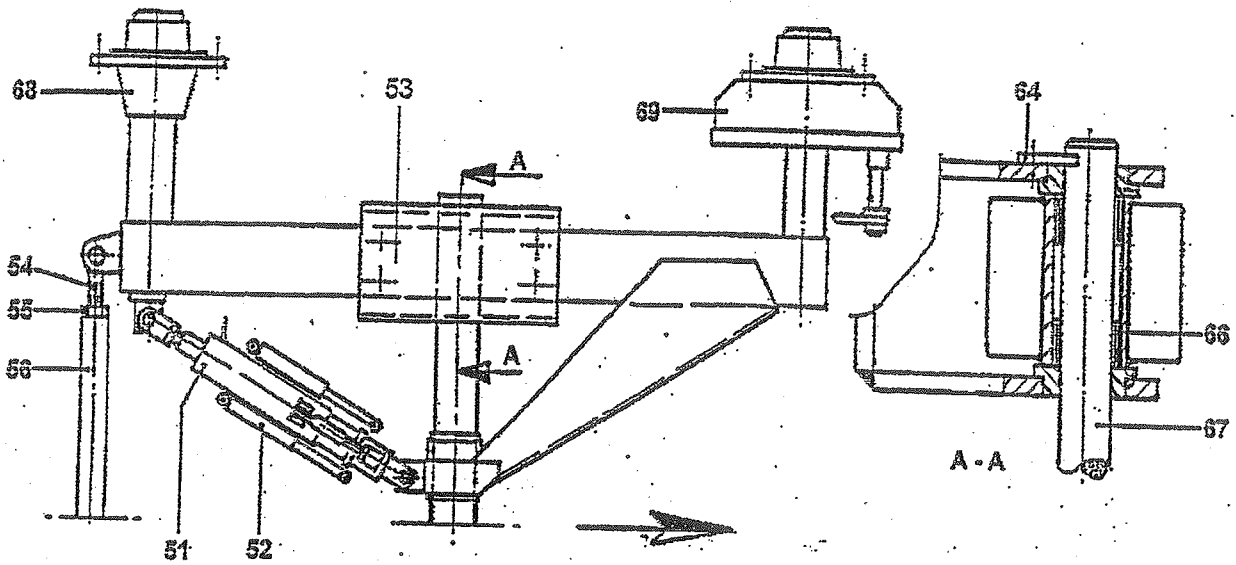
| <i>Fig.</i> | <i>SR-no.</i> | <i>Omschrijving</i> | <i>Description</i> |
|-------------|---------------|--------------------------------|------------------------------------|
| 1 | 435.0800 | Volg-as 10898 Rap.130 | Track-following axle 10898 Rap.130 |
| 4 | 452.0405 | Dopmoer M27×3 | Capped nut M27×3 |
| 5 | 306.0368 | Moer M27×3 | Nut M27×3 |
| 7 | 452.0404 | Arreteercilinder | Stop-motion cylinder |
| 8 | 301.0781 | Bout M20×130 | Bolt M20×130 |
| 10 | 306.0314 | Borgmoer M20 | Locking nut M20 |
| 16 | 301.0795 | Bout M20×190 | Bolt M20×190 |
| 17 | 452.0396 | Draadeind M30×3,5L (incl. 17a) | Threaded end M30×3,5L (incl. 17a) |
| 17a | 452.0398 | Elastische lagerbus 20 / 38 | Elastic bearing bush 20 / 38 |
| 18 | 306.0361 | Moer M30×3,5L | Nut M30×3,5 |
| 19 | 452.0397 | Draadeind M30×3,5R (incl. 17a) | Treaded end M30×3,5R (incl. 17a) |
| 20 | 306.0362 | Moer M30×3,5R | Nut M30×3,5R |
| 21 | 452.0406 | Schokdemper | Shock absorber |
| 22 | 301.0771 | Bout M20×90 | Bolt M20×90 |
| 24 | 452.0395 | Sluitdeksel | Cover |
| 25 | 301.0806 | Bout M8×20 | Bolt M8×20 |
| 26 | 452.0391 | Lagerbus | Bearing bush |
| 27 | 452.0390 | Fusee-as | Swivel pin shaft |
| 28 | 452.0393 | Axiaalschijf | Axial disc |
| 29 | 304.0115 | Stelschroef M16×30 | Setting screw M16×30 |
| 30 | 306.0702 | Moer M16 | Nut M16 |
| 31 | 452.0394 | Vulschijf | Filler disc |
| 32 | 452.0393 | Axiaalschijf | Axial disc |
| 33 | 301.0835 | Bout M8×30 | Bolt M8×30 |
| | - | Asstomp (zie blz. 39) | Shaft end (See page 39) |



17. WHEEL AXLES ADR RAPIDE 130 (TYPE 898 BRAKE 400x80)

WIELASSEN ADR RAPIDE 130 (TYPE 898 REM 400x80)

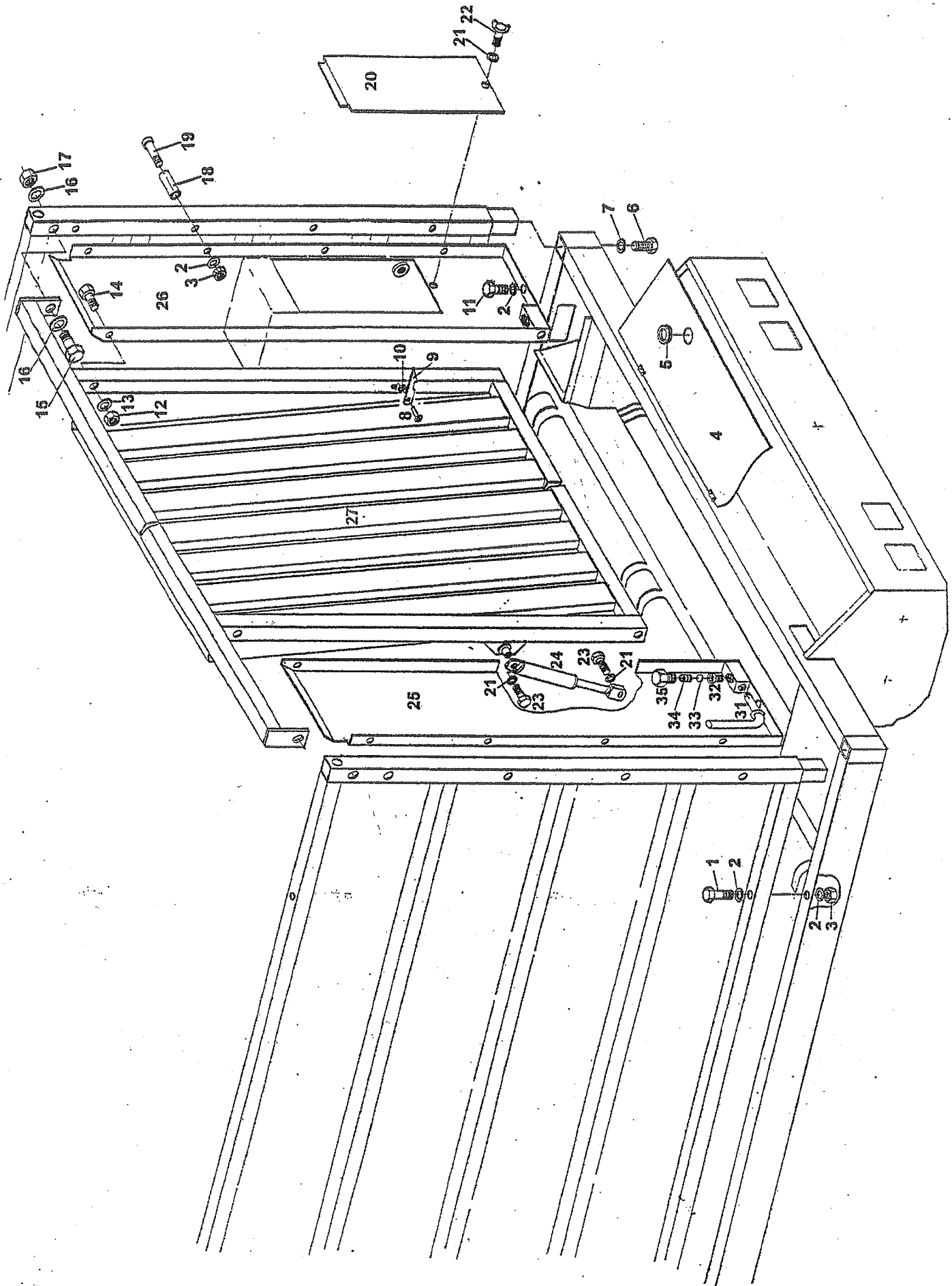
| <i>Fig.</i> | <i>SR-no.</i> | <i>Omschrijving</i> | <i>Description</i> |
|-------------|---------------|-----------------------------------|--------------------------------|
| 1 | 452.0326 | Remtrommel 400x80 | Brake drum 400x80 |
| 3 | 452.0338 | Remschoen 400x80 | Brake shoe 400x80 |
| 6 | 316.0918 | Veerring 24 mm | Spring ring 24 mm |
| 7 | 306.0717 | Moer M24x1,5 | Nut M24x1,5 |
| 8 | 452.0343 | Trekveer 400x80 | Draw spring 400x80 |
| 14 | 450.0629 | Wielbout M20x1,5 L=70 | Wheel bolt M20x1,5 L=70 |
| 15 | 450.0630 | Wielmoer M20x1,5 | Wheel nut M20x1,5 |
| 15a | 450.0631 | Bolle veerring 20 mm | Spring ring 20 mm |
| 16 | 452.0366 | Dichtring | Sealing ring |
| 17 | 401.0268 | Kegellager buiten 32214 | Cone bearing outside 32214 |
| 18 | 401.0250 | Kegellager binnen 32217 | Cone bearing inside 32217 |
| 19 | 452.0359 | Kroonmoer M48x1,5/80 | Castle nut M48x1,5/80 |
| 20 | 375.0142 | Splitpen 4x80 | Split 4x80 |
| 21 | 452.0356 | Naafdop Ø125 - schroefbevestiging | Hub cap Ø125 - screw fastening |
| 22 | 452.0317 | Wielnaaf | Radnabe |
| 23 | 452.0343 | Trekveer | Draw spring |
| 24 | 452.0385 | Remhefboom 32 | Brake lever 32 |
| 25 | 452.0402 | Remcilinder 25mm | Brake cylinder |
| 26 | 920.0673 | Scharnierpen 20mm | Pivoting pin 20mm |
| 27 | 316.0725 | Sluitring A21 | Washer A21 |
| 28 | 375.0118 | Splitpen 5x30 | Split pin 5x30 |
| 29 | 349.0076 | Pen 14mm | Pin 14mm |
| 30 | 316.0741 | Sluitring A15 | Washer A15 |
| 31 | 375.0122 | Splitpen 3x25 | Split 3x25 |



18. TANDEM BPW TAL (RAPIDE 130)

TANDEM BPW TAL (RAPIDE 130)

| <i>Fig.</i> | <i>SR-nr.</i> | <i>Omschrijving</i> | <i>Benennung</i> |
|-------------|---------------|-------------------------------|-----------------------------------|
| 1 | 435.0921 | Pendel tandem TAL 18/1300-8/2 | Rocker suspension TAL 18/1300-8/2 |
| 3 | 450.0650 | Remtrommel 408/8 | Brake drum 408/8 |
| 4 | 450.0834 | Wielnaaf 8008-1 | Wheel hub 8008-1 |
| 5 | 450.0835 | Wielbout M20×1,5-54 Ongeremd | Wheel bolt M20×1,5-52 |
| | 450.0620 | Wielbout M20×1,5-60 Geremd | Wheel bolt M20×1,5-64 |
| 9 | 450.0630 | Wielmoer M20×1,5 | Wheel nut M20×1,5 |
| 9a | 450.0631 | Bolle veerring 20 mm | Conical springring 20 mm |
| 10 | 450.0840 | Naafdop ø120 | Hub cap ø120 |
| 11 | 375.0139 | Splitpen 8×90 | Split pin 8×90 |
| 12 | 450.0839 | Kroonmoer M52×2 | Castle nut M52×2 |
| 14 | 401.0195 | Kegellager buiten 32213 | Cone bearing 32213 |
| 15 | 401.0196 | Kegellager binnen 32215 | Cone bearing 32215 |
| 16 | 452.0052 | Vetkeerring 30215 | Oil catcher 32215 |
| 17 | 452.0012 | Steunring 30215 | Supporting ring 30215 |
| 23 | 450.0530 | Remschoen 408 | Brake shoe with lining 408 |
| 24 | 450.0274 | Trekveer licht | Draw spring light |
| 25 | 450.0531 | Trekveer zwaar | Draw spring heavy |
| 39 | 452.0043 | Rembout-dubbel | Brake bolt |
| 42 | 452.0044 | Klemplaat | Clamp |
| 43 | 316.0918 | Veerring 24 mm | Spring ring 24 mm |
| 44 | 306.0320 | Moer M24×1,5 | Nut M24×1,5 |
| 51 | 452.0100 | Arreteercilinder | Stop cylinder |
| 52 | 452.0101 | Schokdemper | Shock absorber |
| 53 | 452.0110 | Pendelbok | Oscillatingconsole |
| 54a | 401.0266 | Stangkop GAKFR 20 PW | Rod end GAKFR 20 PW |
| 54b | 401.0265 | Stangkop GAKFL 20 PW | Rod end GAKFL 20 PW |
| 55a | 306.0369 | Lage moer M20×1,5 li. | Nut M20×1,5 li. |
| 55b | 306.0370 | Lage moer M20×1,5 re. | Nut M20×1,5 re. |
| 57 | 450.0298 | Kegellager 32211 | Cone bearing 32211 |
| 58 | 452.0103 | Lagerbus | Slide bearing |
| 59 | 452.0104 | Scharnieras | Hinge bolt |
| 60 | 452.0105 | Nilosring | Nilos ring |
| 61 | 452.0106 | Steunring | Supporting ring |
| 62 | 452.0107 | Schijf | Disc |
| 63 | 306.0317 | Kroonmoer M36×1,5 | Castle nut M36×1,5 |
| 64 | 435.0908 | Borgplaat | Locking plate |
| 66 | 450.0950 | Glijlager | Slide bearing |
| 67 | 452.0111 | Pendelas | Swing axle |
| 68 | - | Asstomp Ongeremd | Schaft end unbraket |
| 69 | - | Asstomp Geremd | Schaft end braket |

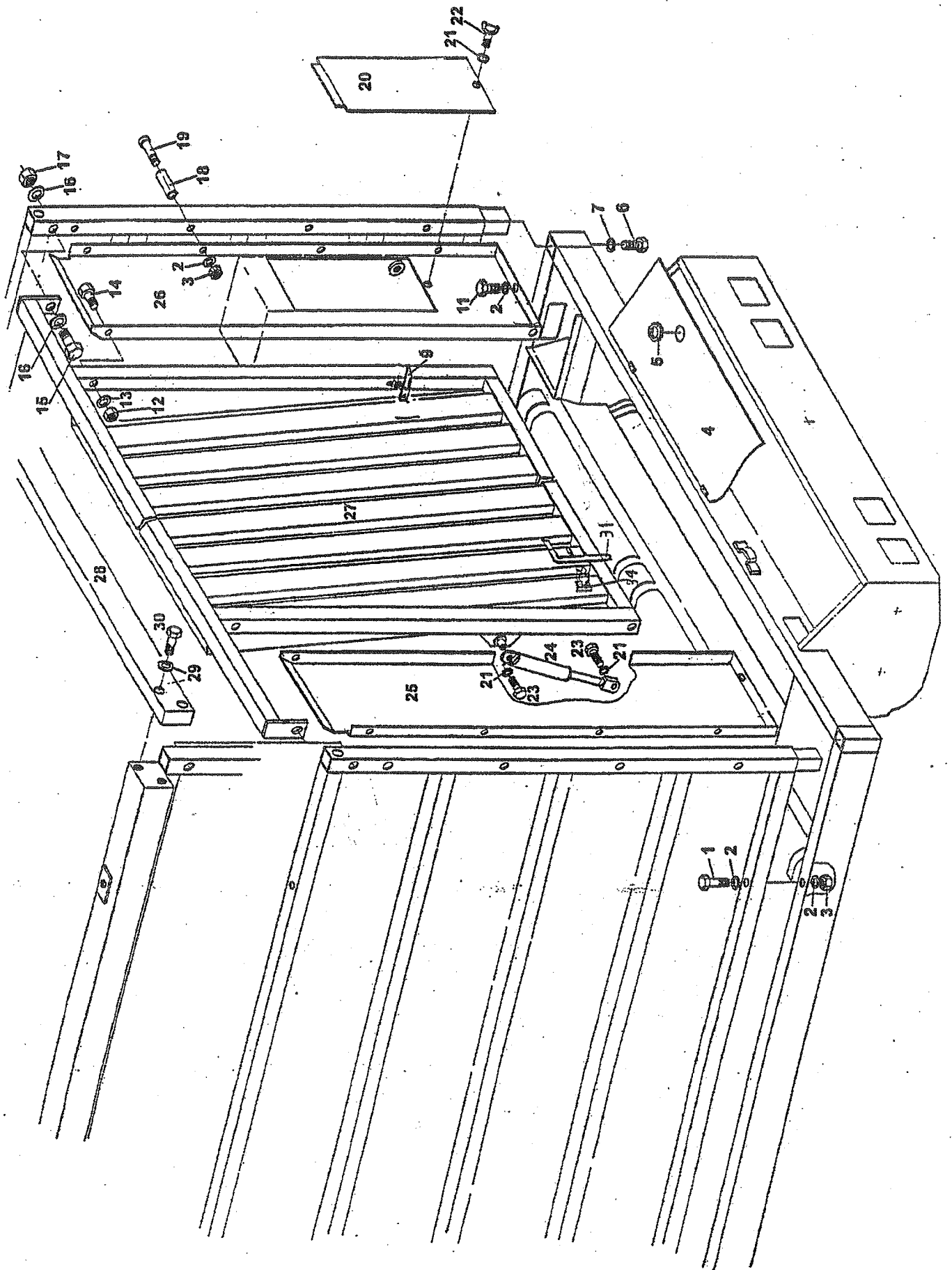


19. FRONT BOARD RAPIDE 100

VOORBORD RAPIDE 100

Drawing no. 975.0001

| <i>Fig.</i> | <i>SR-no.</i> | <i>Omschrijving</i> | <i>Description</i> |
|-------------|---------------|---------------------------|--------------------------------|
| 1 | 301.0739 | Bout M10×90 | Bolt M10×90 |
| 2 | 316.0705 | Sluitring A10,5 | Washer A10,5 |
| 3 | 306.0306 | Borgmoer M10 | Locking nut M10 |
| 4 | 935.0434 | Deksel 25 | Protective cover 25 |
| 6 | 301.0836 | Bout M16×45 | Bolt M16×45 |
| 7 | 316.0901 | Veerring 16 mm | Spring washer 16 mm |
| 9 | 371.0294 | Tuimelsluiting | Rocker fastening |
| 11 | 301.0809 | Bout M10×20 | Bolt M10×20 |
| 12 | 306.0303 | Borgmoer M16 | Locking nut M16 |
| 13 | 316.0707 | Sluitring A17 | Washer A17 |
| 14 | 301.0759 | Bout M16×80 | Bolt M16×80 |
| 15 | 301.0771 | Bout M20×90 | Bolt M20×90 |
| 16 | 316.0725 | Sluitring A21 | Washer A21 |
| 17 | 306.0314 | Borgmoer M20 | Locking nut M20 |
| 18 | 925.0393 | Busje L=37 | Bush L=37 |
| 19 | 302.0603 | Cilinderkopbout M10×60 | Cylinder head bolt M10×60 |
| 20 | 937.0841 | Sluitplaat GI | Locking plate GI |
| 21 | 316.0703 | Sluitring A8,4 | Washer A8,4 |
| 22 | 349.0063 | Vleugelknop M8×20 | Wing nut M8×20 |
| 23 | 301.0750 | Bout M8×35 | Bolt M8×35 |
| 24 | 333.0001 | Gasdrukveer | Gas pressure spring |
| 25 | 967.0607 | Voorwand-zijstuk rechts | Front board side piece right |
| 26 | 969.1318 | Voorwand-zijstuk GI links | Front board side piece GI left |
| 27 | 967.0602 | Voorbord 2216 | Front board 2216 |
| 31 | 967.0142 | Grendelpen | Locking pin |
| 32 | 302.0620 | Cilinderkopbout M10×30 | Cylinder head bolt M10×30 |
| 33 | 349.0028 | Kogel Ø10 | Ball Ø10 |
| 34 | 331.0202 | Borgveer | Locking spring |
| 35 | 900.0115 | Grendelbout M20×25 | Locking bolt M20×25 |

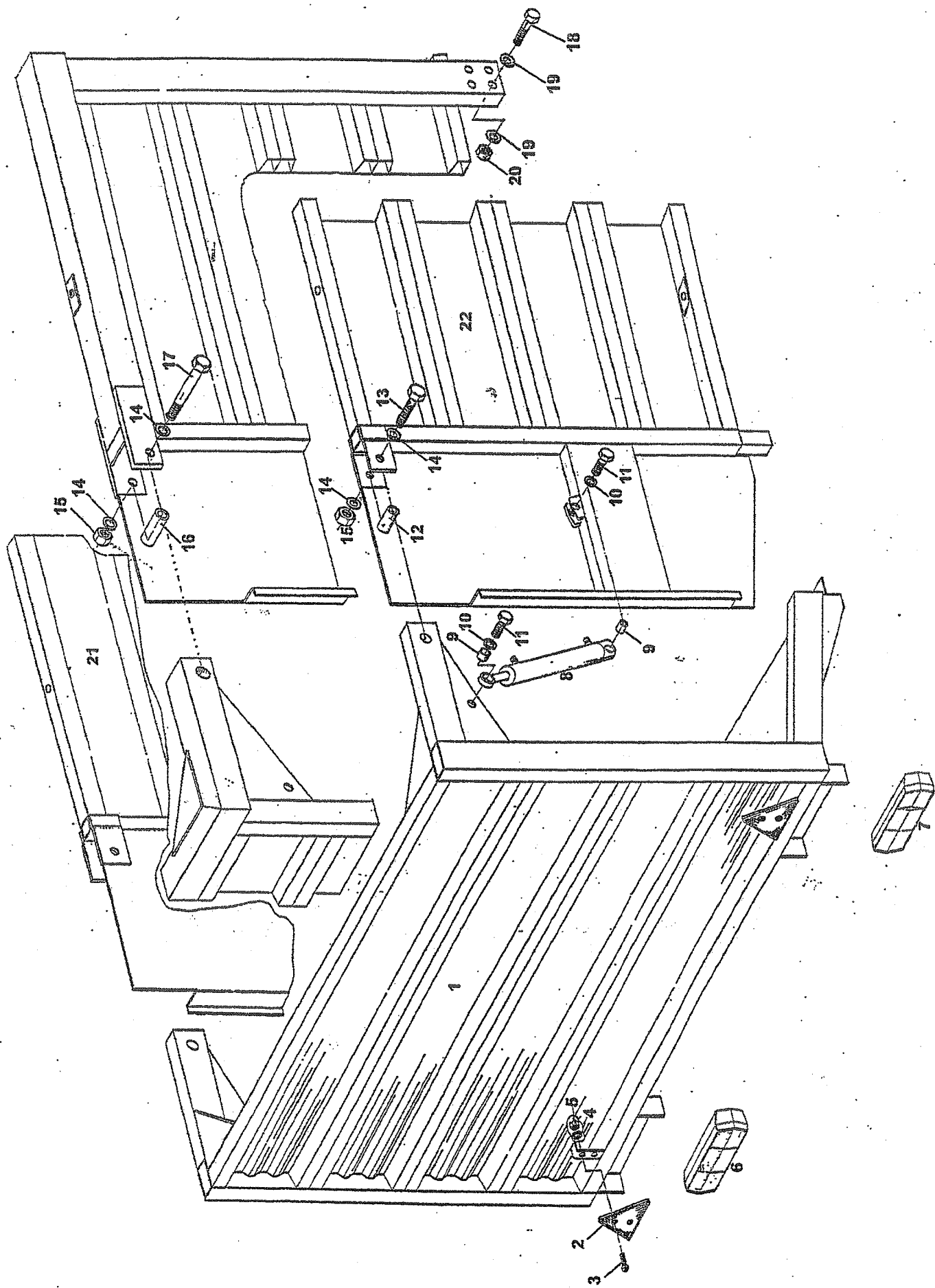


20. FRONT BOARD RAPIDE 130

VOORBORD RAPIDE 130

Drawing no. 975.0001

| <i>Fig.</i> | <i>SR-no.</i> | <i>Omschrijving</i> | <i>Description</i> |
|-------------|---------------|---------------------------|---------------------------------|
| 1 | 301.0739 | Bout M10×90 | Bolt M10×90 |
| 2 | 316.0705 | Sluitring A10,5 | Washer A10,5 |
| 3 | 306.0306 | Borgmoer M10 | Locking nut M10 |
| 4 | 935.0434 | Deksel 25 | Protective cover 25 |
| 6 | 301.0836 | Bout M16×45 (achter) | Bolt M16×45 (rear) |
| | 301.0787 | Bout M16×200 (voor) | Bolt M16×200 (front) |
| 7 | 316.0901 | Veerring 16 mm | Spring washer 16 mm |
| 9 | 371.0294 | Tuimelsluiting | Rocker fastening |
| 11 | 301.0809 | Bout M10×20 | Bolt M10×20 |
| 12 | 306.0303 | Borgmoer M16 | Locking nut M16 |
| 13 | 316.0707 | Sluitring A17 | Washer A17 |
| 14 | 301.0759 | Bout M16×80 | Bolt M16×80 |
| 15 | 301.0771 | Bout M20×90 | Bolt M20×90 |
| 16 | 316.0725 | Sluitring A21 | Washer A21 |
| 17 | 306.0314 | Borgmoer M20 | Locking nut M20 |
| 18 | 925.0393 | Busje L37 | Bush L37 |
| 19 | 302.0603 | Cilinderkopbout M10×60 | Cylinder head bolt M10×60 |
| 20 | 937.0841 | Sluitplaat GI | Locking plate GI |
| 21 | 316.0703 | Sluitring A8,4 | Washer A8,4 |
| 22 | 349.0063 | Vleugelknop M8×20 | Wing nut M8×20 |
| 23 | 301.0750 | Bout M8×35 | Bolt M8×35 |
| 24 | 333.0001 | Gasdrukveer | Gas pressure spring |
| 25 | 961.0107 | Voorwand-zijstuk rechts | Front board- side piece right |
| 26 | 969.1145 | Voorwand-zijstuk GI links | Front board- side piece GI left |
| 27 | 961.0273 | Voorbord 2220 | Front board 2220 |
| 28 | 969.1015 | Bovenrand 22 | Top edge 22 |
| 29 | 316.0702 | Sluitring A13 | Washer A13 |
| 30 | 301.0785 | Bout M12×80 | Bolt M12×80 |
| 31 | 961.0119 | Grendelpen | Locking pin |
| 34 | 331.0202 | Borgveer | Locking spring |

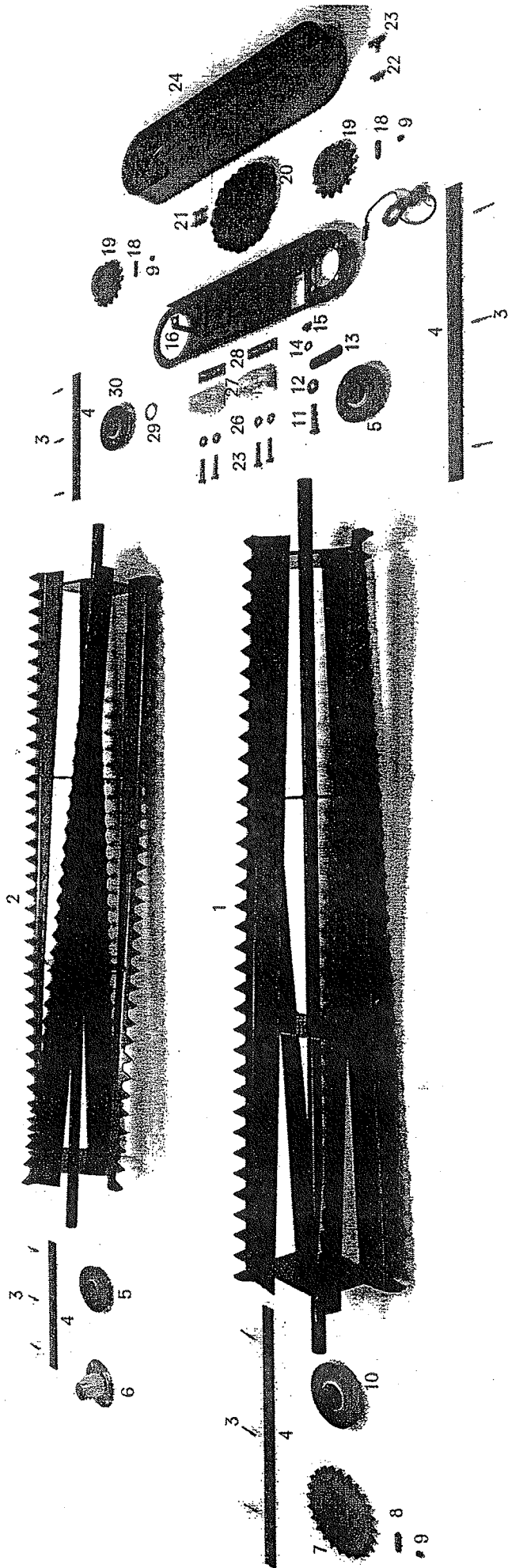


21. TAILGATE

ACHTERKLEP

Drawing no. 975.0002

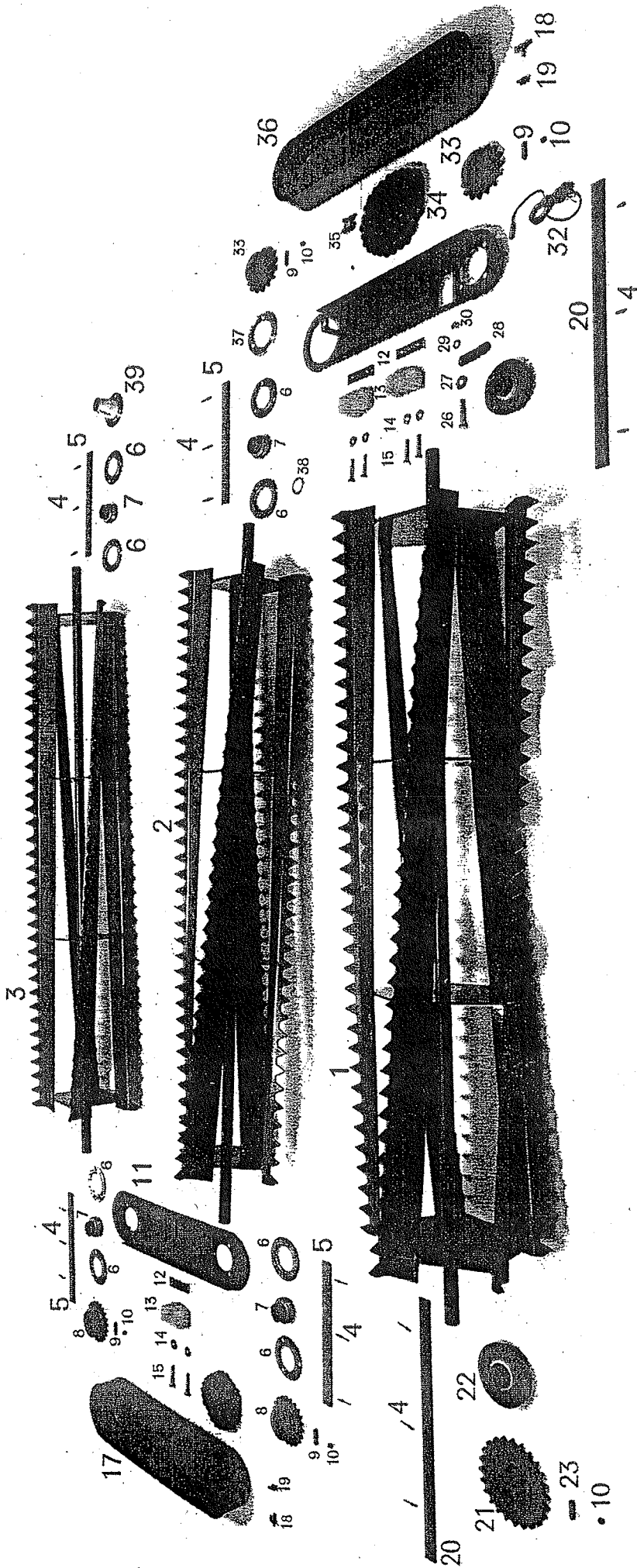
| <i>Fig.</i> | <i>SR-no.</i> | <i>Omschrijving</i> | <i>Description</i> |
|-------------|---------------|-------------------------------------|------------------------------------|
| 1 | 969.1350 | Achterklep Rap.100 | Tailgate Rap.100 |
| | 969.1352 | Achterklep Rap.130 | Tailgate Rap.130 |
| 2 | 482.0201 | Driehoek-reflector | Reflecting warning triangle |
| 3 | 303.0937 | Cilinderkopschroef M5×12 | Cylinder head screw M5×12 |
| 4 | 316.0730 | Sluitring A5,3 | Washer A5,3 |
| 5 | 306.0335 | Borgmoer M5 | Locking nut M5 |
| 6 | 480.0026 | Achterlamp links | Rear light left |
| 7 | 480.0027 | Achterlamp rechts | Rear light right |
| 7a | 482.0104 | Glas voor achterlicht | Glass for rear light |
| 8 | 355.3001 | Hydr. cilinder D30/50-670 (Rap.100) | Hydr.Cylinder D30/80-670 (Rap.100) |
| | 355.3002 | Hydr. cilinder D30/50-875 (Rap.130) | Hydr.Cylinder D30/50-785 (Rap.130) |
| 8a | 454.0812 | Set afdichtingen t.b.v. 8 | Set of seals for 8 |
| 9 | 925.0711 | Lagerbusje L=27,5 | Bearing bush L=27,5 |
| 9a | 925.0775 | Lagerbusje L=31,5 | Bearing bush L=31,5 |
| 10 | 316.0707 | Sluitring A17 | Washer A17 |
| 11 | 301.0746 | Bout M16×55 | Bolt M16×55 |
| | 301.0761 | Bout M16×60 | Bolt M16×60 |
| 12 | 925.0651 | Scharnierbusje Rap.100 | Knuckle L=54 Rap.100 |
| 13 | 301.0762 | Bout M16×90 Rap.100 | Bolt M16×90 Rap.100 |
| 14 | 316.0707 | Sluitring A17 | Washer A17 |
| 15 | 306.0702 | Moer M16 | Nut M16 |
| 16 | 925.0922 | Scharnierbusje L=101 Rap.130 | Knuckle L=101 Rap.130 |
| 17 | 301.0738 | Bout M16×150 Rap.130 | Bolt M16×150 Rap.130 |
| 18 | 301.0785 | Bout M12×80 | Bolt M12×80 |
| 19 | 316.0701 | Sluitring A13 | Washer A13 |
| 20 | 306.0302 | Borgmoer M12 | Locking nut M12 |
| 21 | 968.0005 | Zijbord 100-S links | Side board 100-S left |
| | 951.0003 | Zijbord 130-S links | Side board 130-S left |
| | 951.0021 | Zijbord 130-SW links | Side board 130-SW left |
| 22 | 968.0006 | Zijbord 100-S rechts | Side board 100-S right |
| | 968.0741 | Zijbord 100-SW rechts | Side board 100-SW right |
| | 951.0004 | Zijbord 130-S rechts | Side board 130-S right |
| | 951.0022 | Zijbord 130-SW rechts | Side board 130-SW right |



22. DISTRIBUTION BEATERS RAPIDE 100-SW .

VERDEEL-WALSEN RAPIDE 100-SW

| <i>Fig.</i> | <i>SR-no.</i> | <i>Omschrijving</i> | <i>Description</i> |
|-------------|---------------|---------------------------|--------------------------------|
| 1 | 967.0425 | Verdeelwals onder | Distribution beater, lower |
| 2 | 967.0400 | Verdeelwals boven | Distribution beater, top |
| 3 | 309.0233 | Popnagel gegroefd | Pop rivet, grooved |
| 4 | 281.0021 | Afdichtstrip L=400 | Sealing strip L=400 |
| 5 | 401.0204 | Flenslager RME 35 | Flange bearing RME 35 |
| 6 | 900.0092 | Beschermkapje | Protective cover |
| 7 | 353.0403 | Kettingwiel 1" Z=24 | Chain wheel 1" Z=24 |
| 8 | 315.0123 | Spie 12x8x45 | Feater key 12x8x45 |
| 9 | 304.0105 | Stelschroef M10 | Adjusting screw M10 |
| 10 | 401.0198 | Flenslager RME-40 | Flange bearing RME-40 |
| 11 | 301.0775 | Bout M12x70 | Bolt M12x70 |
| 12 | 316.0701 | Sluitplaat A13 | Washer A13 |
| 13 | 332.0005 | Schotelveer | Cup spring |
| 14 | 316.0702 | Sluitring A13 | Washer A13 |
| 15 | 306.0302 | Borgmoer M12 | Locking nut M12 |
| 16 | 960.0615 | Lagerplaat met eindstop | Bearing plate with stop-motion |
| 17 | 484.0115 | Sensor | Sensor |
| 18 | 315.0104 | Spie 10x8x40 | Key 10x8x40 |
| 19 | 353.0173 | Kettingwiel 1" Z=15 | Chain wheel 1" Z=15 |
| 20 | 356.0146 | Ketting 1"-61 | Chain 1"-61 |
| 21 | 356.0143 | Verbindschalm 1"x17,02 | Joining link 1"x17.02 |
| 22 | 306.0359 | Plaatmoer M8 zelfborgend | Self-locking nut M8 |
| 23 | 301.0801 | Bout M8x16 | Bolt M8x16 |
| 24 | 375.0502 | Beschermkap | Protective cover |
| 25 | 301.0726 | Bout M10x60 | Bolt M10x60 |
| 26 | 316.0719 | Sluitplaat 10,5 mm | Washer 10,5 mm |
| 27 | 353.0202 | Spanblok 50 | Tension block 50 |
| 28 | 912.0671 | Spanstrip TB-10 | Tensioning strip |
| 28a | 302.0935 | Spanbout M10x140 | Tension bolt M10x140 |
| 29 | 934.0155 | Ring 51/36 | Ring 51/36 |
| 30 | 900.0103 | Flenslager RME35 met rand | Flange bearing with edge RME35 |

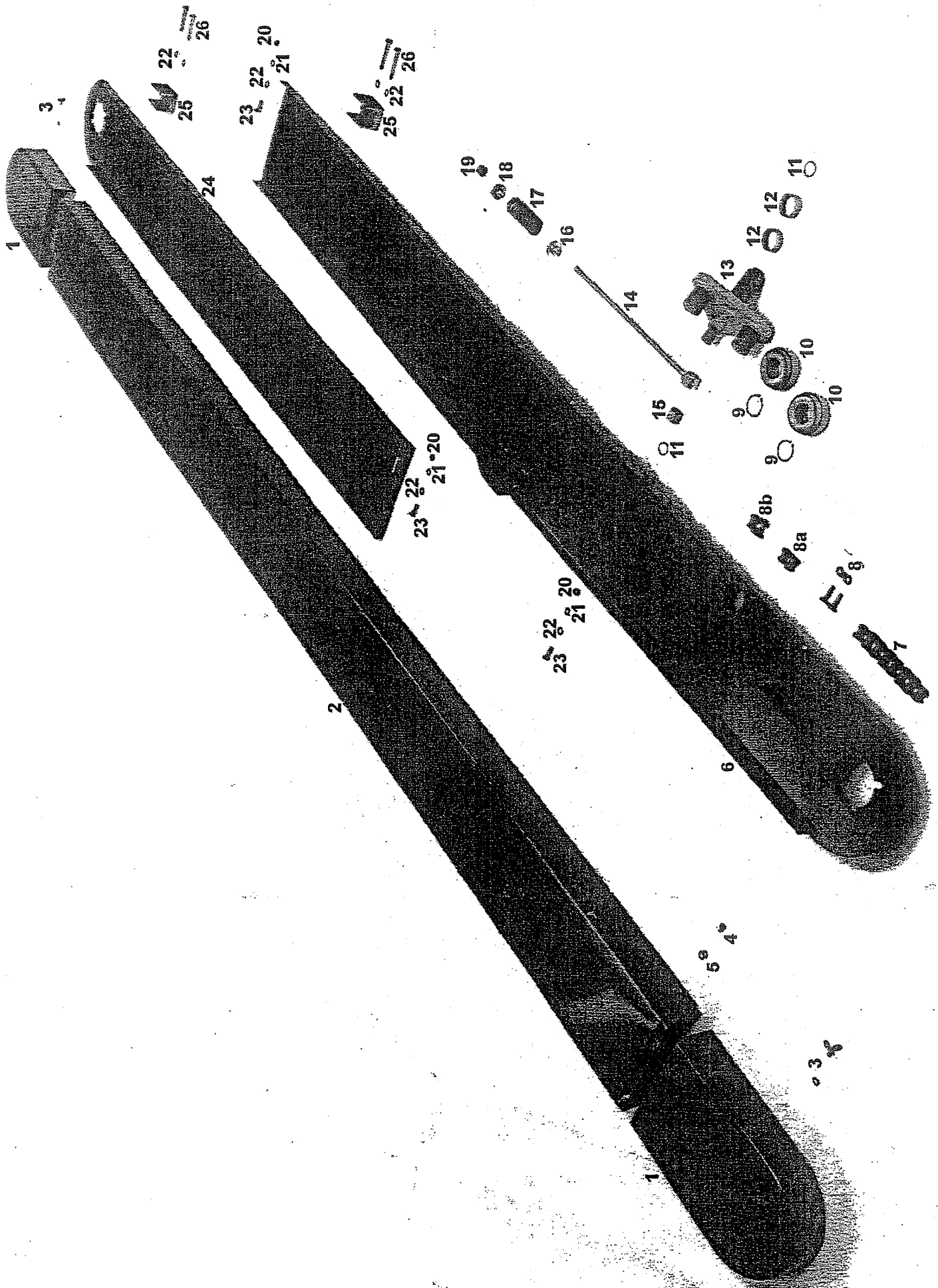


• 10
- 23

23. DISTRIBUTION BEATERS RAPIDE 100-SWV; 130-SWV

VERDEEL-WALSEN RAPIDE 100-SWV; 130-SWV

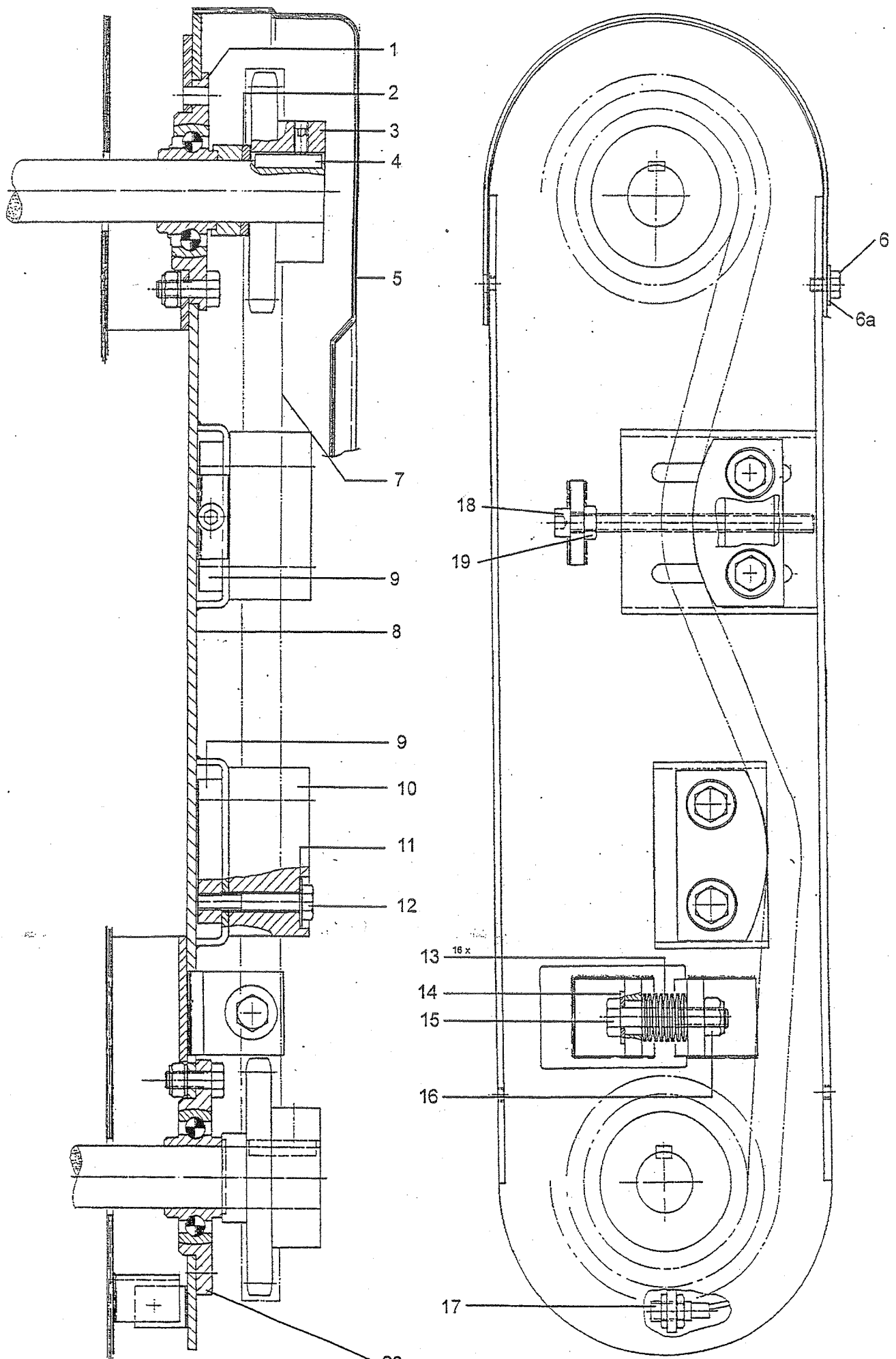
| <i>Fig.</i> | <i>SR-no.</i> | <i>Omschrijving</i> | <i>Description</i> |
|-------------|---------------|-----------------------------------|--|
| 1 | 967.0399 | Verdeelwals onder | Distribution beater, lower |
| 2 | 967.0400 | Verdeelwals midden | Distribution beater, middle |
| 3 | 967.0400 | Verdeelwals boven | Distribution beater, top |
| 4 | 309.0233 | Popnagel gegroefd | Pop rivet, grooved |
| 5 | 281.0021 | Afdichtstrip L=400 | Sealing strip L=400 |
| 6 | 401.0134 | Lagerflens 35-3gts Rap.100 | Bearing flange 35-3hls Rap. 100 |
| 6+7 | 401.0204 | Flenslager RME 35 Rap.130 | Flange bearing RME 35 Rap. 130 |
| 7 | 401.0178 | Flenslager GE35 Rap.100 | Flange bearing GE35 Rap. 100 |
| 8 | 353.0149 | Kettingwiel ¾" Z=21/35 Rap. 100 | Chain wheel ¾" Z=21/35 Rap. 100 |
| | 353.0173 | Kettingwiel 1" Z=15/35 Rap. 130 | Chain wheel 1" Z=15/35 Rap. 130 |
| 9 | 315.0104 | Spie 10×8×40 | Feather key 10×8×40 |
| 10 | 304.0105 | Stelschroef M10 | Set screw M10 |
| 11 | 960.0618 | Lagerplaat II-III Rap. 100 | Bearing plate II-III Rap. 100 |
| | 961.0610 | Lagerplaat II-III Rap. 130 | Bearing plate II-III Rap. 130 |
| 12 | 912.0671 | Spanstrip TB-10 | Tensioning strip TB-10 |
| 12a | 302.0935 | Spanbout M10×140 | Tension bolt M10×140 |
| 13 | 353.0202 | Spanblok 50 | Tension block 50 |
| 14 | 316.0719 | Ring 10,5 mm | Ring 10,5 mm |
| 15 | 301.0726 | Bout M10×60 | Bolt M10×60 |
| 16 | 356.0156 | Ketting ¾"-81 Rap. 100 | Chain ¾"-81 Rap. 100 |
| | 356.0146 | Ketting 1"-61 Rap. 130 | Chain 1"-61 Rap. 130 |
| 17 | 375.0502 | Beschermkap | Protective cover |
| 18 | 301.0801 | Bout M8×16 | Bolt M8×16 |
| 19 | 306.0359 | Plaatmoer M8 zelfborgend | Self-locking nut M8 |
| 20 | 281.0021 | Afdichtstrip L=400 | Sealing strip L=400 |
| | 281.0022 | Afdichtstrip L=670 | Sealing strip L=670 |
| 21 | 353.0457 | Kettingwiel 1" Z=24 met breekbout | Chain wheel 1" Z=24 with shearing bolt |
| | 301.0215 | Breekbout M12×45 | Shearing bolt M12×45 |
| 22 | 401.0198 | Flenslager RME-40 | Flange bearing RME-40 |
| 23 | 315.0123 | Spie 12×8×45 | Feather key 12×8×45 |
| 25 | 401.0204 | Flenslager RME 35 | Flange bearing RME 35 |
| 26 | 301.0775 | Bout M12×70 | Bolt M12×70 |
| 27 | 316.0701 | Sluitring A13 | Sealing ring A13 |
| 28 | 332.0005 | Schotelveer | Cup spring |
| 29 | 316.0702 | Sluitring | Sealing ring |
| 30 | 306.0302 | Borgmoer M12 | Locking nut M12 |
| 31 | 960.0615 | Lagerplaat met eindstop | Bearing plate with stop |
| 32 | 484.0115 | Sensor | Sensor |
| 33 | 353.0173 | Kettingwiel 1" Z=15 | Chain wheel 1" Z=15 |
| 34 | 356.0146 | Ketting 1"-61 | Chain 1"-61 |
| 35 | 356.0143 | Verbindingsschalm 1"×17.02 | Joining link 1"×17.02 |
| 36 | 375.0502 | Beschermkap | Protective cover |
| 37 | 934.0100 | Lagerflens Rap.100 | Bearing flange Rap.100 |
| | 900.0103 | Flenslager RME35 met rand Rap.130 | Flange bearing with edge RME35Rap.130 |
| 38 | 934.0155 | Ring 51/36 | Ring 51/36 |
| 39 | 900.0082 | Beschermkapje | Protective cover |



24. BEATER DRIVE WITH CHAIN TENSIONER

WALSAANDRIJVING MET KETTINGSpanNER

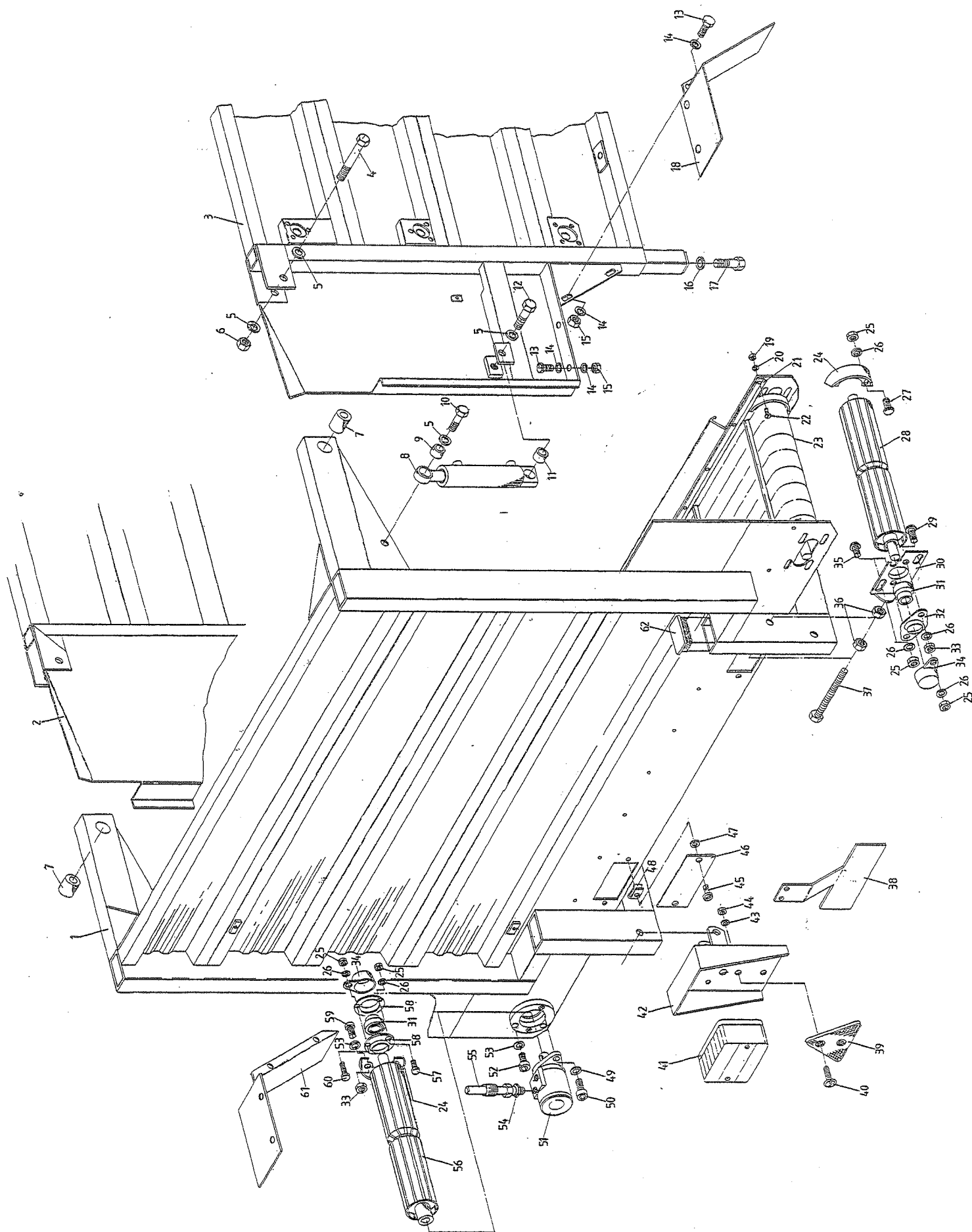
| <i>Fig.</i> | <i>SR-no.</i> | <i>Omschrijving</i> | <i>Description</i> |
|-------------|---------------|--------------------------------------|---|
| 1 | 930.0596 | Eindkap HVS-Rap. | Cover, end HVS-Rap. |
| 2 | 967.0150 | Middenkap Rap. 100-SW | Cover, middle Rap. 100-SW |
| | 969.1526 | Middenkap Rap. 100-SWV | Cover, middle Rap.100-SWV |
| | 961.0121 | Middenkap voor Rap. 130-SWV | Cover, middle front Rap. 130-SWV |
| | 936.0861 | Middenkap achter Rap. 130-SWV | Cover, middle rear Rap. 130-SWV |
| 4 | 301.0801 | Bout M8×16 | Bolt M8×16 |
| 5 | 316.0722 | Sluitplaat A8,4 | Washer A8,4 |
| 6 | 967.0152 | Lagerplaat voor Rap. 100-SW en 100-V | Bearing plate front Rap. 100-SW and 100-V |
| | 961.0120 | Lagerplaat voor Rap. 130-SWV | Bearing plate front Rap. 130-SWV |
| 7 | 356.0172 | Ketting 1"×17.02-16B | Chain 1"×17,02-16B |
| 8 | 356.0143 | Verbindingsschalm 1"×17.02 | Joining link 1"×17.02 |
| 9 | 313.0114 | Buitenborgring A-40 | Locking ring A-40 |
| 10 | 922.0011 | Kettinggeleiderol | Chain guide roller |
| 11 | 313.0106 | Buitenborgring A-25 | Locking ring A-25 |
| 12 | 402.0131 | Glijlager 40/20 | Slide bearing 40/20 |
| 13 | 967.0095 | Kettingspanner | Chain tensioner |
| 14 | 967.0096 | Spanbout | Tension bolt |
| 15 | 402.0132 | Glijlager 25/25 | Slide bearing 25/25 |
| 16 | 925.0690 | Veerkop | Spring head |
| 17 | 331.0219 | Drukveer | Pressure spring |
| 18 | 925.0691 | Veerschijf | Spring disc |
| 19 | 306.0303 | Borgmoer M16 | Locking nut M16 |
| 20 | 306.0701 | Moer M10 | Nut M10 |
| 21 | 316.0906 | Veerring 10 mm | Spring washer 10 mm |
| 22 | 316.0705 | Sluitring A10,5 | Washer A10,5 |
| 23 | 301.0811 | Bout M10×30 | Bolt M10×30 |
| 24 | 967.0155 | Lagerplaat achter Rap. 100-SW | Bearing plate back Rap. 100-SW |
| | 969.1525 | Lagerplaat achter Rap. 100-SWV | Bearing plate back Rap. 100-SWV |
| | 960.0793 | Lagerplaat achter Rap. 130-SWV | Bearing plate back Rap. 130-SWV |
| 25 | 922.0012 | Glijblok | Sliding block |
| 26 | 301.0719 | Bout M10×70 | Bolt M10×70 |



25. BEATER PROTECTIVE DEVICE
 WALSBEVEILIGING

Drawing: 975.0022

| <i>Fig.</i> | <i>SR-no.</i> | <i>Omschrijving</i> | <i>Description</i> |
|-------------|---------------|--------------------------------|--|
| 1 | 900.0103 | Flenslager RME 35 met rand | Flange bearing with edge RME 35 |
| 2 | 934.0155 | Ring 51/36 | Ring 51/36 |
| 3 | 353.0173 | Ketting wiel 1"×17,02-15 | Chain wheel 1"×17,02-15 |
| 4 | 315.0104 | Inlegspie 10×8×40 | Key 10×8×40 |
| 5 | 375.0502 | Beschermkap Rap.100 | Protective cover Rap.100 |
| 6 | 301.0801 | Bout M8×16 | Bolt M8×16 |
| 6a | 316.0722 | Sluitplaat A8,4 | Washer A8,4 |
| 7 | 356.0146 | Ketting 1"-61 Rap. 100 en 130 | Chain 1"-61 Rap. 100 and 130 |
| 8 | 960.0615 | Lagerplaat 580-ES | Bearing plate 580-ES |
| 9 | 912.0671 | Spanstrip kettingspanner TB-10 | Tensioning strip for chain tensioner TB-10 |
| 10 | 353.0202 | Spanblok 50 | Tension block 50 |
| 11 | 316.0719 | Sluitplaat A10,5 | Washer A10,5 |
| 12 | 301.0726 | Bout M10×60 | Bolt M10×60 |
| 13 | 332.0005 | Schotelveer 28×12,2×1 | Cup spring 28×12,2×1 |
| 14 | 316.0701 | Sluitring A13 | Washer A13 |
| 15 | 301.0775 | Bout M12×70 | Bolt M12×70 |
| 16 | 306.0302 | Borgmoer M12 | Locking nut M12 |
| 17 | 484.0115 | Sensor | Sensor |
| 18 | 302.0935 | Spanbout M10×140 | Bolt M10×140 |
| 19 | 306.0701 | Moer M10 | Nut M10 |
| 20 | 401.0204 | Flenslager RME35 | Flange bearing RME35 |

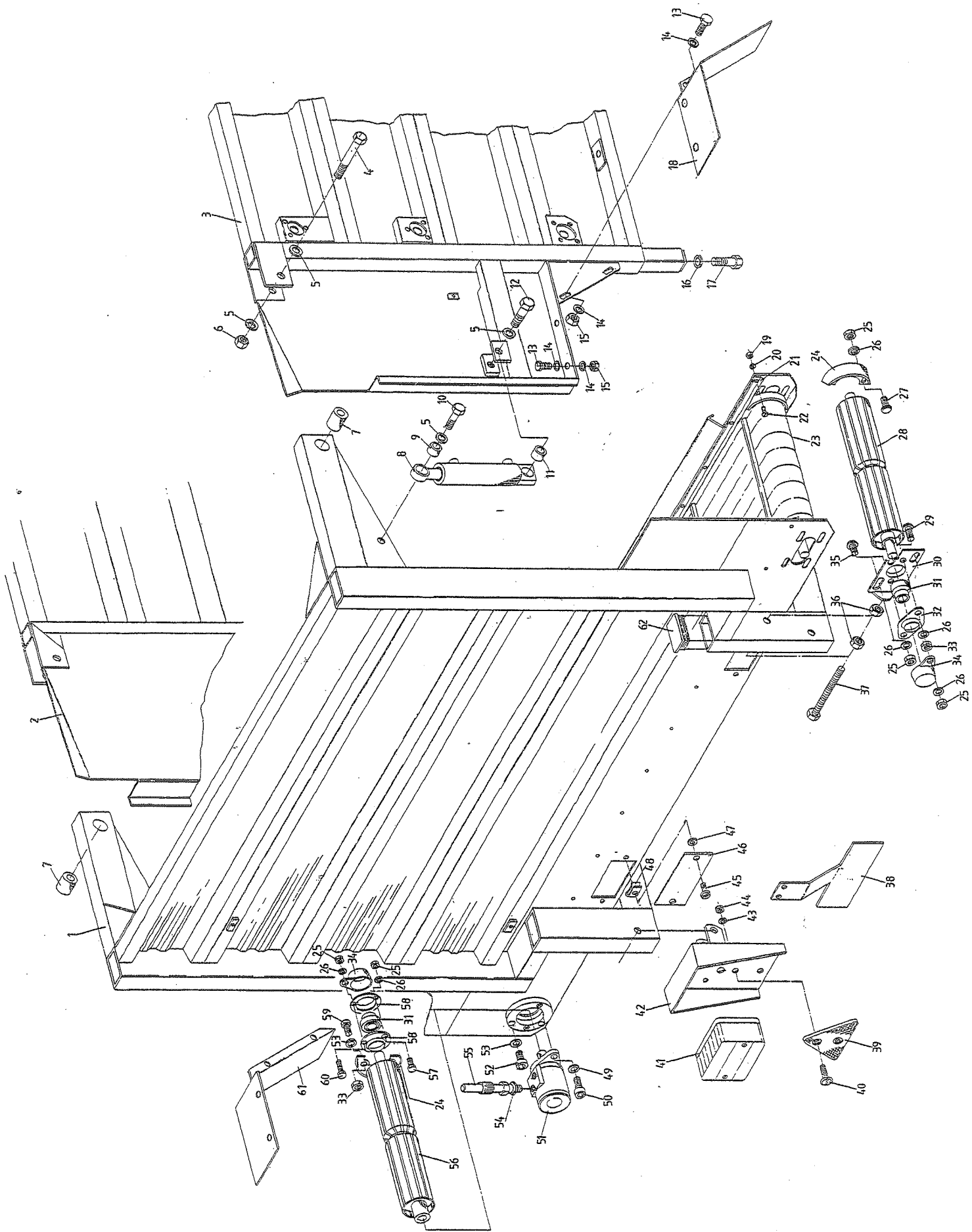


26. TAILGATE WITH CROSS CONVEYOR

ACHTERKLEP MET DWARSTRANSPORTEUR

Drawing no. 975.0003

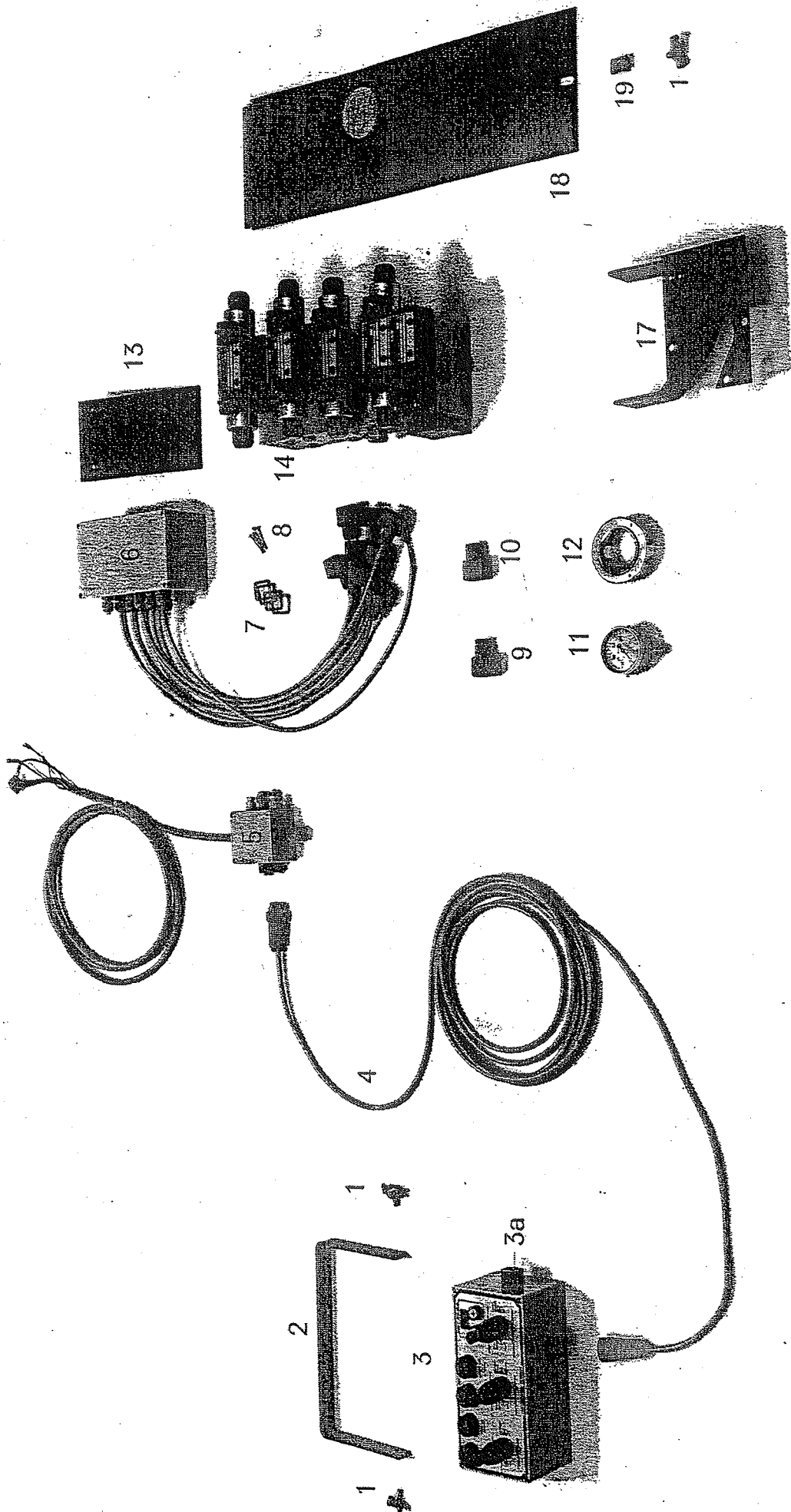
| <i>Fig.</i> | <i>SR-no.</i> | <i>Omschrijving</i> | <i>Description</i> |
|-------------|---------------|------------------------------------|---------------------------------------|
| 1 | 969.1155 | Achterklep met dwarsband Rap.100 | Tailgate with cross conveyor Rap. 100 |
| | 969.0677 | Achterklep met dwarsband Rap.130 | Tailgate with cross conveyor Rap.130 |
| 2 | 969.1355 | Zijbord Li. (Rap.100) | Side board Li. (Rap.100) |
| | 951.0058 | Zijbord Li. (Rap.130) | Side board Li. (Rap.130) |
| 3 | 969.1356 | Zijbord Re. (Rap.100) | Side board Re. (Rap.100) |
| | 951.0059 | Zijbord Re. (Rap.130) | Side board Re. (Rap.130) |
| 4 | 301.0762 | Bout M16x90 (Rap. 100) | Bolt M16x90 (Rap.100) |
| | 301.0738 | Bout M16x150 (Rap.130) | Bolt M16x150 (Rap.130) |
| 5 | 316.0707 | Sluitring A17 | Washer A17 |
| 6 | 306.0303 | Borgmoer M16 | Locking nut M16 |
| 7 | 925.0651 | Scharnierbus L=51 (Rap.100) | Bush L=51 (Rap.100) |
| | 925.0922 | Scharnierbus L=101 (Rap.130) | Bush L=101 (Rap.130) |
| 8 | 355.3001 | Hydr.cilinder D30/50-670 (Rap.100) | Hydr. Cylinder D30/50-670 (Rap.100) |
| | 355.3002 | Hydr.cylinder D30/50-875 (Rap.130) | Hydr. Cylinder D35/50-875 (Rap.130) |
| 9 | 925.0775 | Lagerbusje L=31,5 | Bush L=31,5 |
| 10 | 301.0746 | Bout M16x55 | Bolt M16x55 |
| 11 | 925.0711 | Lagerbusje L=27,5 | Bush L=27,5 |
| 12 | 301.0761 | Bout M16x60 | Bolt M16x60 |
| 13 | 301.0805 | Bout M10x25 | Bolt M10x25 |
| 14 | 316.0705 | Sluitring A10,5 | Washer A10,5 |
| 15 | 306.0306 | Borgmoer M10 | Locking nut M16 |
| 16 | 316.0901 | Veerring 16mm | Spring washer 16mm |
| 17 | 301.0836 | Bout M16x45 | Bolt M16x45 |
| 18 | 937.0655 | Tunneldeel Re. (Rap.100) | Tunnel tail right (Rap.100) |
| | 969.0963 | Tunnelhelft Re. (Rap.130) | Tunnel tail right (Rap.130) |
| 19 | 306.0707 | Moer M6 | Nut M6 |
| 20 | 316.0708 | Sluitring A6,4 | Washer A6,4 |
| 21 | 914.0041 | Afdichtstrook (Rap.100) | Closure strip (Rap.100) |
| | 914.0008 | Afdichtstrook (Rap.130) | Closure strip (Rap.130) |
| 22 | 303.0928 | Schroef M6x12 | Screw M6x12 |
| 23 | 433.0054 | Transportband cpl. (Rap.100) | Conveyerbelt cpl. (Rap.100) |
| | 433.0021 | Transportband cpl. (Rap.130) | Conveyerbelt cp[l. (Rap.130) |
| 23a | 433.0019 | Riemverbinder incl.23b | Conveyerelt connection inc. 23b |
| 23b | 433.0018 | Verbinderpen | Connction pin |
| 24 | 360.0005 | Set afschermringen | Set plastic protective rings |
| 25 | 306.0312 | Borgmoer M8 | Locking nut M8 |
| 26 | 316.0703 | Sluitring A8,4 | Washer A8,4 |
| 27 | 303.0724 | Slotbout M8x20 | Bolt M8x20 |
| 28 | 968.0151 | Bandspanrol | Tension roller |
| 29 | 303.0721 | Slotbout M8x30 | Bolt M8x30 |
| 30 | 966.0553 | Spanlagerhuis incl.32 | Bearing house incl. 32 |
| 31 | 401.0169 | Flenslager GRAE 25 | Flange bearing GRAE 25 |
| 32 | 401.0249 | Lagerflens | Bearing flange |



CONTINUATION CROSS CONVEYOR

VERVOLG DWARSTRANSPORTEUR

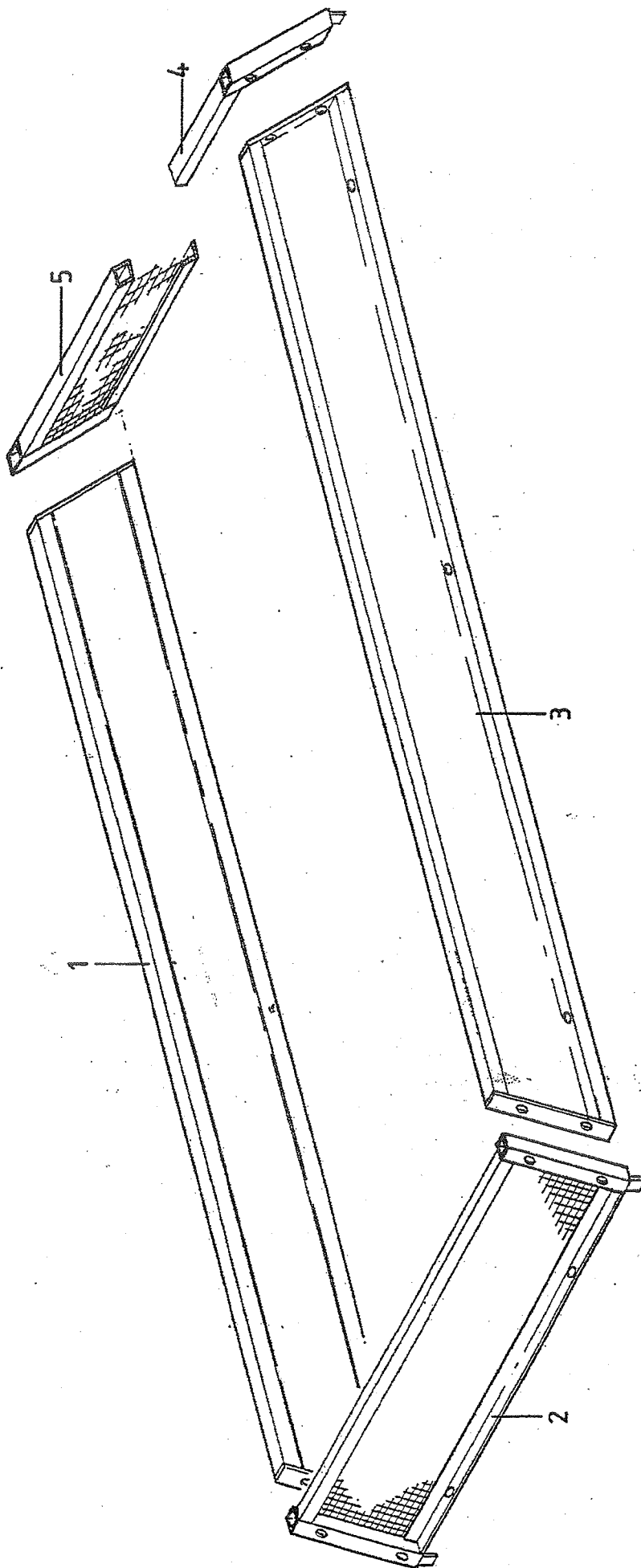
| <i>Fig.</i> | <i>SR-no.</i> | <i>Omschrijving</i> | <i>Description</i> |
|-------------|---------------|---------------------------|-----------------------------------|
| 33 | 306.0705 | Moer M8 | Nut M8 |
| 34 | 401.0171 | Beschermkapje | Protective cover |
| 35 | 303.0725 | Slotbout M8x16 | Bolt M8x16 |
| 36 | 306.0704 | Moer M12 | Nut M12 |
| 37 | 967.0208 | Spanbout M12x190 | Bolt M12x190 |
| 39 | 482.0201 | Driehoek-reflector | Reflecting warning triangle |
| 40 | 303.0920 | Cilinderkopschroef M5x20 | Screw M5x20 |
| 41 | 480.0033 | Achterlamp | Rear light |
| 41a | 482.0122 | Glas voor achterlicht | Glass for rear light |
| 42 | 960.0483 | Verlichtingsbakje | Light holder |
| 43 | 316.0703 | Sluitring A5,3 | Washer A5,3 |
| 44 | 306.0335 | Borgmoer M5 | Locking nut M5 |
| 45 | 349.0066 | Snelschroef | Quick-acting screw |
| 46 | 934.0992 | Sluitdelsel | Cover |
| 47 | 349.0065 | Nylonring | Nylon Ring |
| 48 | 349.0064 | Schuifclosep | Panex Quick-acting screw |
| 49 | 316.0904 | Veerring 12mm | Spring washer 12mm |
| 50 | 302.0608 | Cilinderkopbout M12x30 | Cylinder head bolt M12x30 |
| 51 | 355.0075 | Hydromotor OMP 50 | Hydr-motor OMP 50 |
| 52 | 302.0619 | Cilinderkopbout M8x25 | Cylinder head bolt M8x25 |
| 53 | 316.0905 | Veerring 8mm | Spring washer 8mm |
| 54 | 355.0101 | Rechte kopp. AL-15 | Straight screw-in coupling AL-15R |
| 55 | 417.3003 | Hydr.slang Rap.100-SWV | Hydr.Hose Rap.100-SWV |
| | 417.3005 | Hydr.slang Rap.130-SWV | Hydr.Hose Rap.130-SWV |
| 56 | 968.0152 | Banddrijfrol | Belt pulley |
| 57 | 301.0801 | Bout M8x16 | Bolt M8x16 |
| 58 | 401.0170 | Lagerflens | Bearing flange |
| 59 | 302.0617 | Cilinderkopbout M8x16 | Cylinder head bolt M8x16 |
| 60 | 301.0835 | Bout M8x30 | Bolt M8x30 |
| 61 | 937.0654 | Tunnelhelft Li. (Rap.100) | Tunnel tail left (Rap.100) |
| | 969.0962 | Tunneldeel Li. (Rap.130) | Tunnel tail left (Rap.130) |
| 62 | 376.0160 | Sluitdop | Plastic cap |



27. Hydraulic/Elektrical operation

HYDRAULISCH/ELEKTRISCHE BEDIENING

| <i>Fig.</i> | <i>SR-no.</i> | <i>Omschrijving</i> | <i>Description</i> |
|-------------|---------------|---------------------------------|--------------------------------------|
| 1 | 349.0063 | Vleugelknop M8×20 | Wing nut M8×20 |
| 2 | 912.0146 | Bevestigingsbeugel | Mounting bracket |
| 3 | 484.0915 | Bedieningsunit (incl. 3a t/m k) | Pilot box (incl. 3a up to k) |
| 3a | 349.0067 | Trillingsdemper | Vibration damper |
| 3b | 484.0133 | Kontaktblok | Contact block |
| 3c | 484.0134 | Schakelhandel-vast | Fixed switch lever |
| 3d | 484.0135 | Schakelhandel-verend | Spring switch lever |
| 3e | 484.0132 | Beschermhoes | Protective cover |
| 3f | 484.0037 | Signaallamp-rood | Warning light, red |
| 3g | 484.0136 | Drukschakelaar-rood | Pressure switch, red |
| 3h | 484.0137 | Drukschakelaar-groen | Pressure switch, green |
| 3i | 484.0138 | Impulsschakelaar "+" | Impulse switch "+" |
| 3j | 484.0139 | Impulsschakelaar "-" | Impulse switch "-" |
| 3k | 484.0144 | Chassisdeel met pen 4-polig | Surface-mounted connector 4P |
| 4 | 484.0602 | Verbindingskabel | Connection cable |
| 4a | 484.0142 | Stekker met pen 4-polig | Straight cable connector 4P |
| 4b | 484.0143 | Stekker met bus 4-polig | Straight cable socket 4P |
| 5 | 484.0607 | Voedingsunit | Supply unit |
| 5a | 484.0144 | Chassisdeel met pen 4-polig | Surface-mounted connector 4P |
| 6 | 484.0606 | Stuurunit | Control unit |
| 7 | 484.0121 | Dichtring GDM 3-16 | Sealing ring GDM 3-16 |
| 8 | 484.0122 | Schroef M3×35 | Screw M3×35 |
| 9 | 484.0059 | Connector zwart (incl. 7 en 8) | Connector, black (incl. 7, 8) |
| 10 | 484.0060 | Connector grijs (incl. 7 en 8) | Connector, grey (incl. 7 and 8) |
| 11 | 355.0399 | Manometer 0-250 bar (incl.12) | Manometer 0-250 Bar (incl.12) |
| 13 | 961.0881 | Montage-steunplaat Bo/LS | Mounting-support plate Bo/LS |
| 14 | 355.4004 | Hydraulisch manifold Rap.S-LS | Elektro-Hydraulic manifold Rap.V-LS |
| | 355.4005 | Hydraulisch manifold Rap.SW-LS | Elektro-Hydraulic manifold Rap.SW-LS |
| | 355.4006 | Hydraulisch manifold Rap.V-LS | Elektro-Hydraulic manifold Rap. V-LS |
| 17 | 969.1146 | Stuurblok-console Bo/LS | Manifold support Bo/LS |
| 18 | 937.0841 | Sluitplaat Bo/LS | Locking plate Bo/LS |
| 19 | 306.0359 | Plaatmoer M8 zelfborgend | Self-locking plate nut M8 |

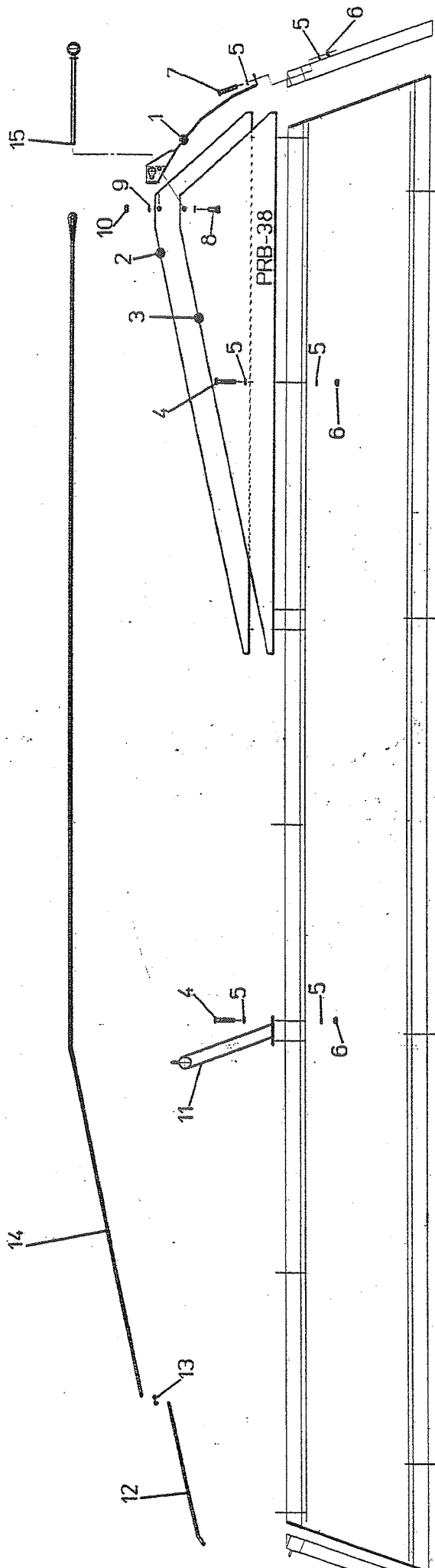


28. STEEL CONSTRUCTION AS WINDCOVER RAPIDE 100

STALEN OPBOUW ALS WINDKAP RAPIDE 100

Drawing no. 975.0016

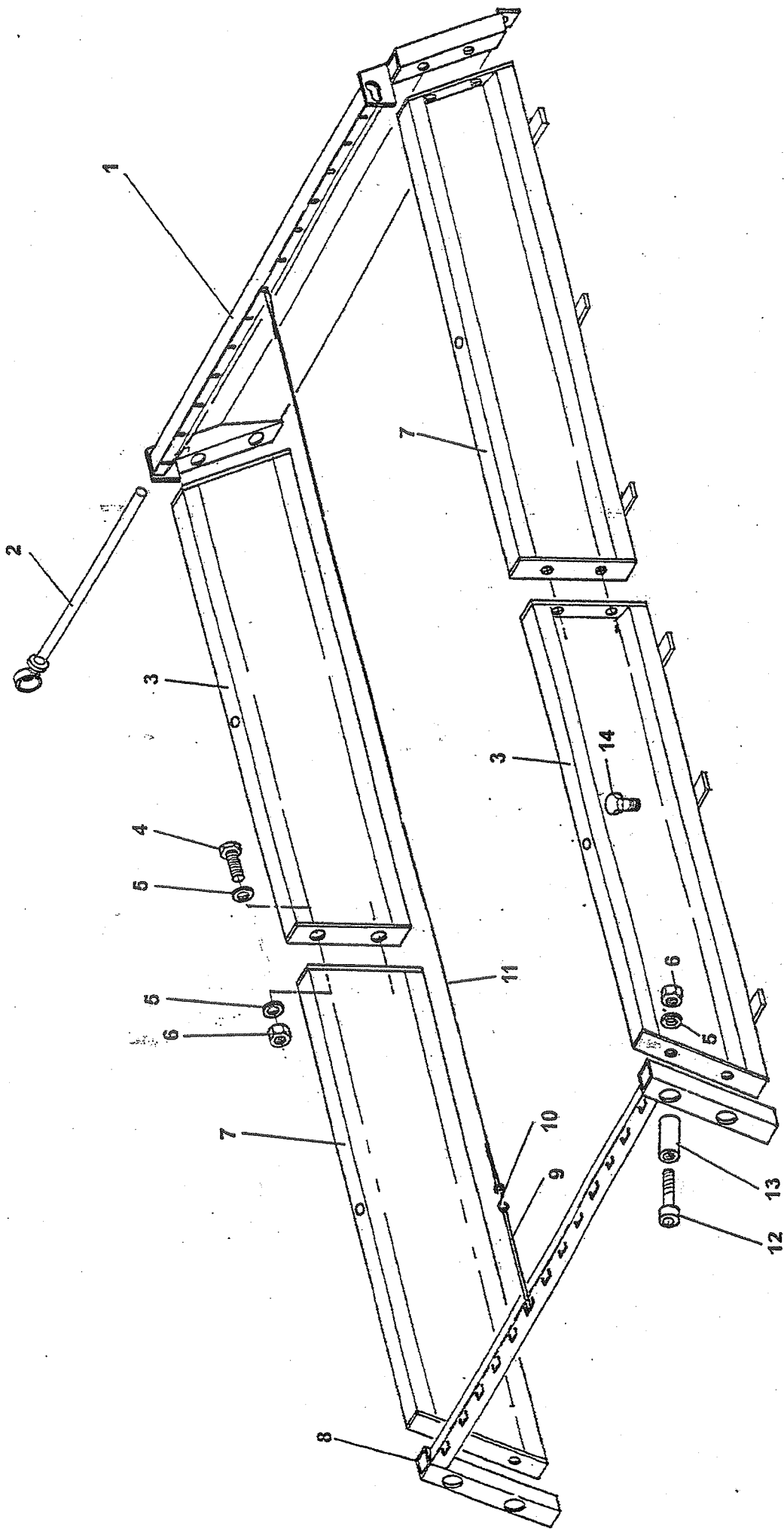
| <i>Fig.</i> | <i>SR-no.</i> | <i>Omschrijving</i> | <i>Description</i> |
|-------------|---------------|---------------------|----------------------------|
| 0 | 992.0385 | Windkap Cpl. | Wind cover, steel Cpl. |
| 1 | 967.0572 | Zijstuk | Side piece |
| 2 | 967.0574 | Vorstuk met gaas | Front part with wire gauze |
| 3 | 967.0572 | Zijstuk | Side piece |
| 4 | 968.0576 | Achterbeugel | Rear bracket |



29. EXTRA SLIDE GUIDE + CORDS FOR WIND COVER CONSTRUCTION RAPIDE 100

EXTRA GELEIDEPLAAT + KOORDEN OP WINDKAP RAPIDE 100

| <i>Fig.</i> | <i>SR-no.</i> | <i>Omschrijving</i> | <i>Description</i> |
|-------------|---------------|-------------------------------|-----------------------------|
| - | 994.0601 | Geleideplaat met koorden cpl. | Slide guide with cords cpl. |
| 1 | 961.0290 | Voorplaat | Front plate |
| 2 | 936.0616 | Zijplaat li. | Side plate left |
| 3 | 936.0617 | Zijplaat re. | Side plate right |
| 4 | 301.0752 | Bout M10×75 | Bolt M10×75 |
| 5 | 316.0705 | Sluitring A10,5 | Washer A10,5 |
| 6 | 306.0306 | Borgmoer M10 | Locking nut M10 |
| 7 | 301.0725 | Bout M10×65 | Bolt M10×65 |
| 8 | 301.0810 | Bout M12×30 | Bolt M12×30 |
| 9 | 316.0702 | Sluitring A13 | Washer A13 |
| 10 | 306.0302 | Borgmoer M12 | Locking nut M12 |
| 11 | 960.0393 | Middenbeugel | Central bracket |
| 12 | 900.0300 | Spankoord – 40 | Dragband – 40 |
| 13 | 461.0150 | D-Sluiting | D- locking clamp |
| 14 | 900.0334 | Koord 8 / 4100 | Cord 8 / 4100 |
| 15 | 961.0275 | Kabelstang | Cable rod |



30. STEEL CONSTRUCTION + CORDS AS WIND COVER RAPIDE 130

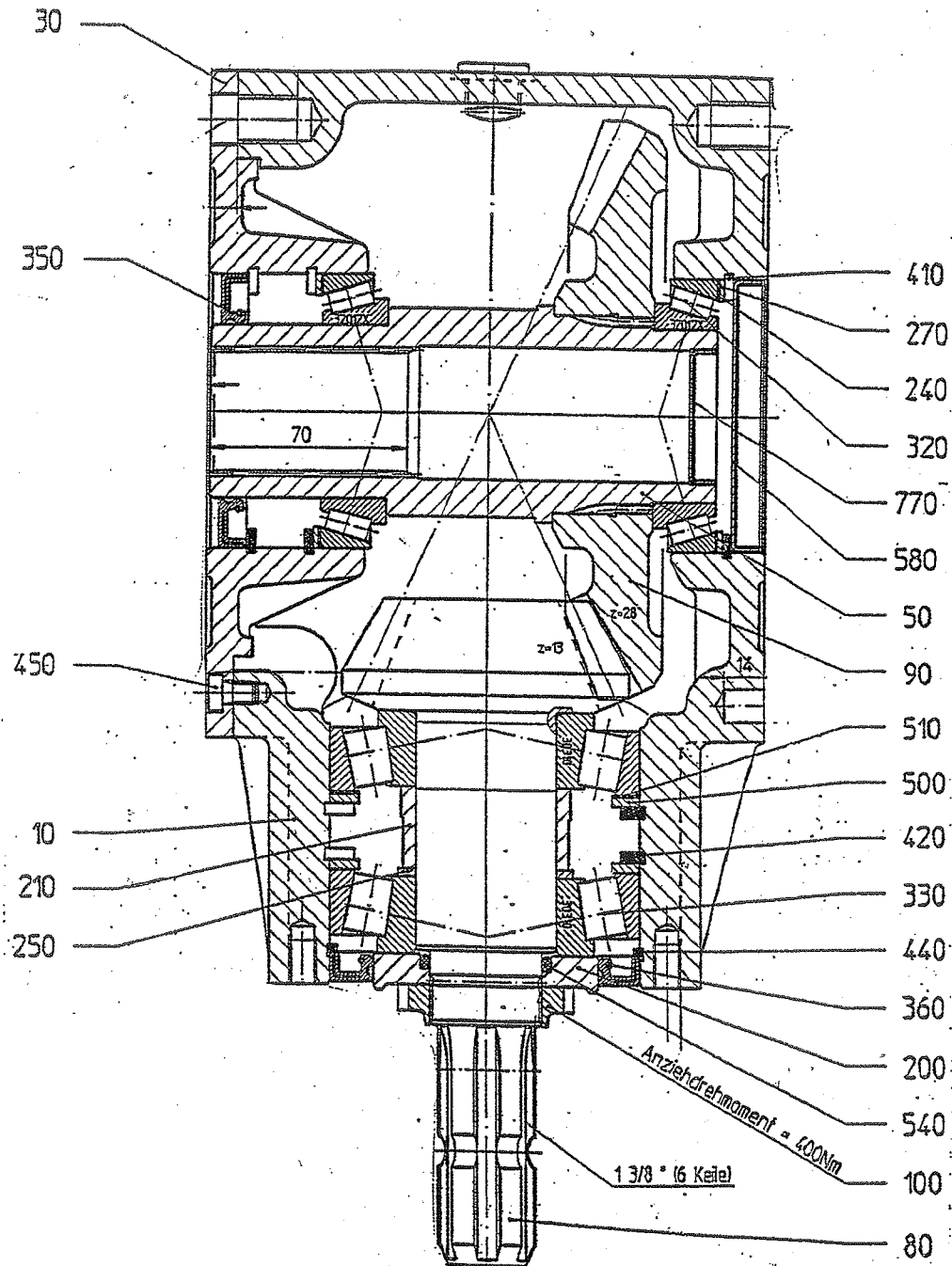
STAALOPBOUW + KOORDEN ALS WINDKAP RAPIDE 130

Drawing no. 975.0024

| <i>Fig.</i> | <i>SR-no.</i> | <i>Omschrijving</i> | <i>Description</i> |
|-------------|---------------|--------------------------|--------------------------------|
| - | 994.0600 | Windkap Rap.130 cpl. | Wind cover, steel Rap.130 cpl. |
| 1 | 961.0271 | Vorstuk met geleideplaat | Front part to lead |
| 2 | 961.0275 | Kabelstang | Cable rod |
| 3 | 961.0569 | Zijstuk-RH | Side piece- RH |
| 4 | 301.0811 | Bout M10×30 | Bolt M10×30 |
| 5 | 316.0705 | Sluitring A10,5 | Washer A10,5 |
| 6 | 306.0306 | Moer M10 | Nut M10 |
| 7 | 961.0568 | Zijstuk-LH | Side piece- LH |
| 8 | 961.0274 | Achterbeugel | Rear bracket Rap. |
| 9 | 900.0300 | Spankoord-40 | Tension cord-40 |
| 10 | 461.0150 | D-Sluiting | D-locking clamp |
| 11 | 900.0330 | Koord 8/4920 | Cord 8/4920 |
| 12 | 302.0603 | Cilinderkopbout M10×60 | Cylinder head bolt M10×60 |
| 13 | 925.0393 | Busje L37 | Bush L37 |
| 14 | 301.0725 | Bout M10×65 | Bolt M10×65 |

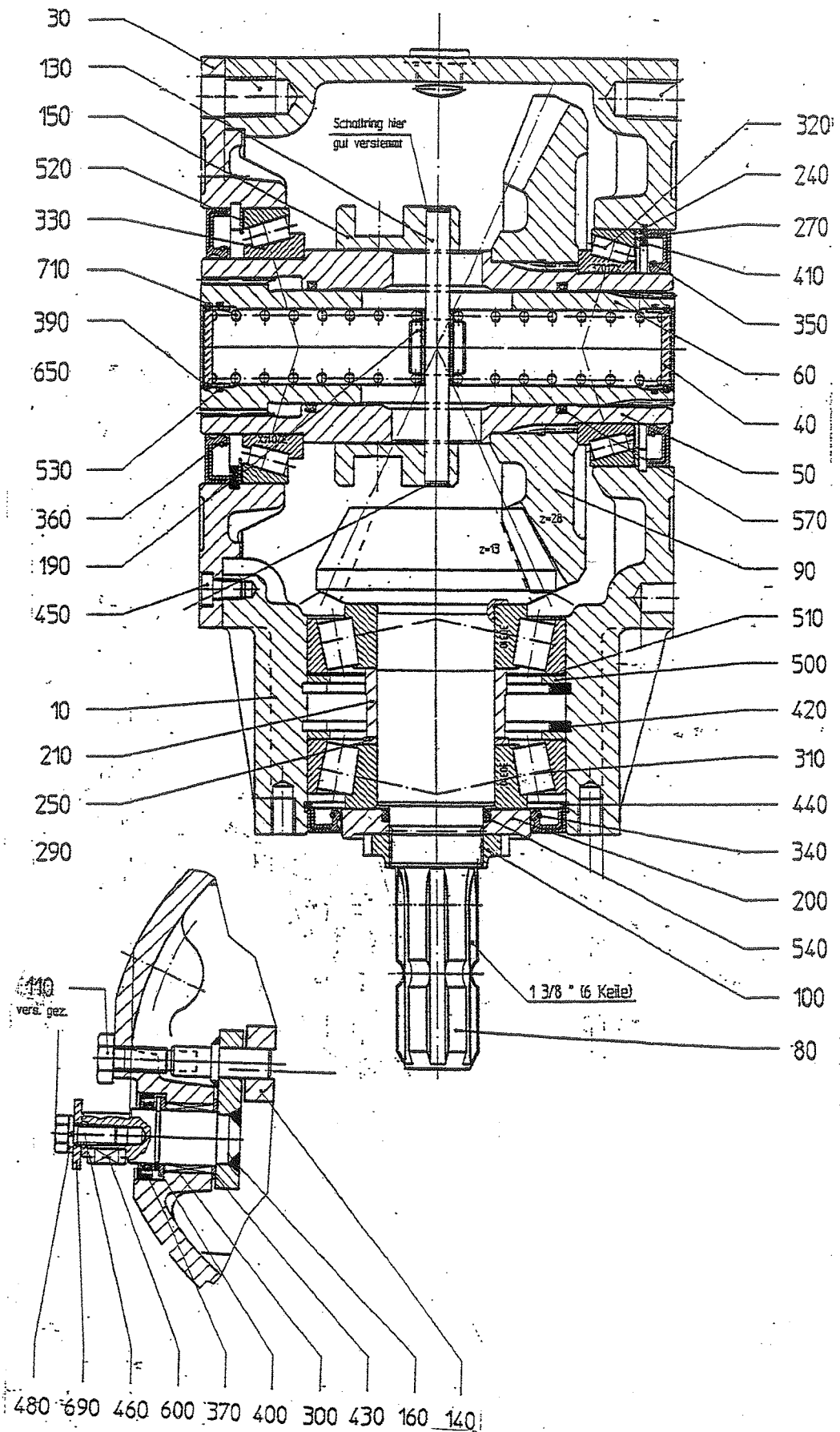
31. Gear box Type-S

Article no. :351.0066

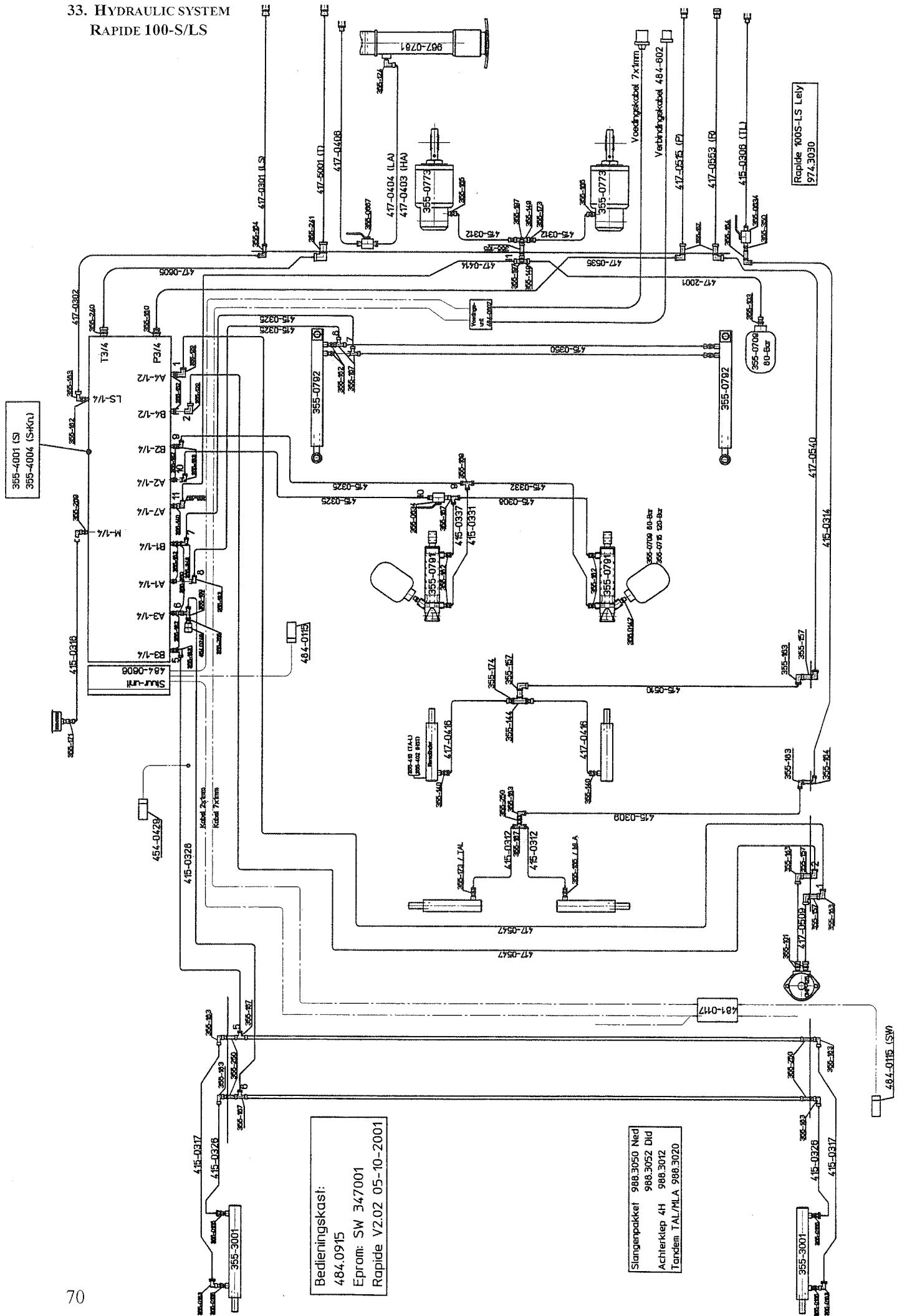


32. GEAR BOX TYPE SW AND SWV

Article no.: 351.0076



33. HYDRAULIC SYSTEM
RAPIDE 100-S/LS

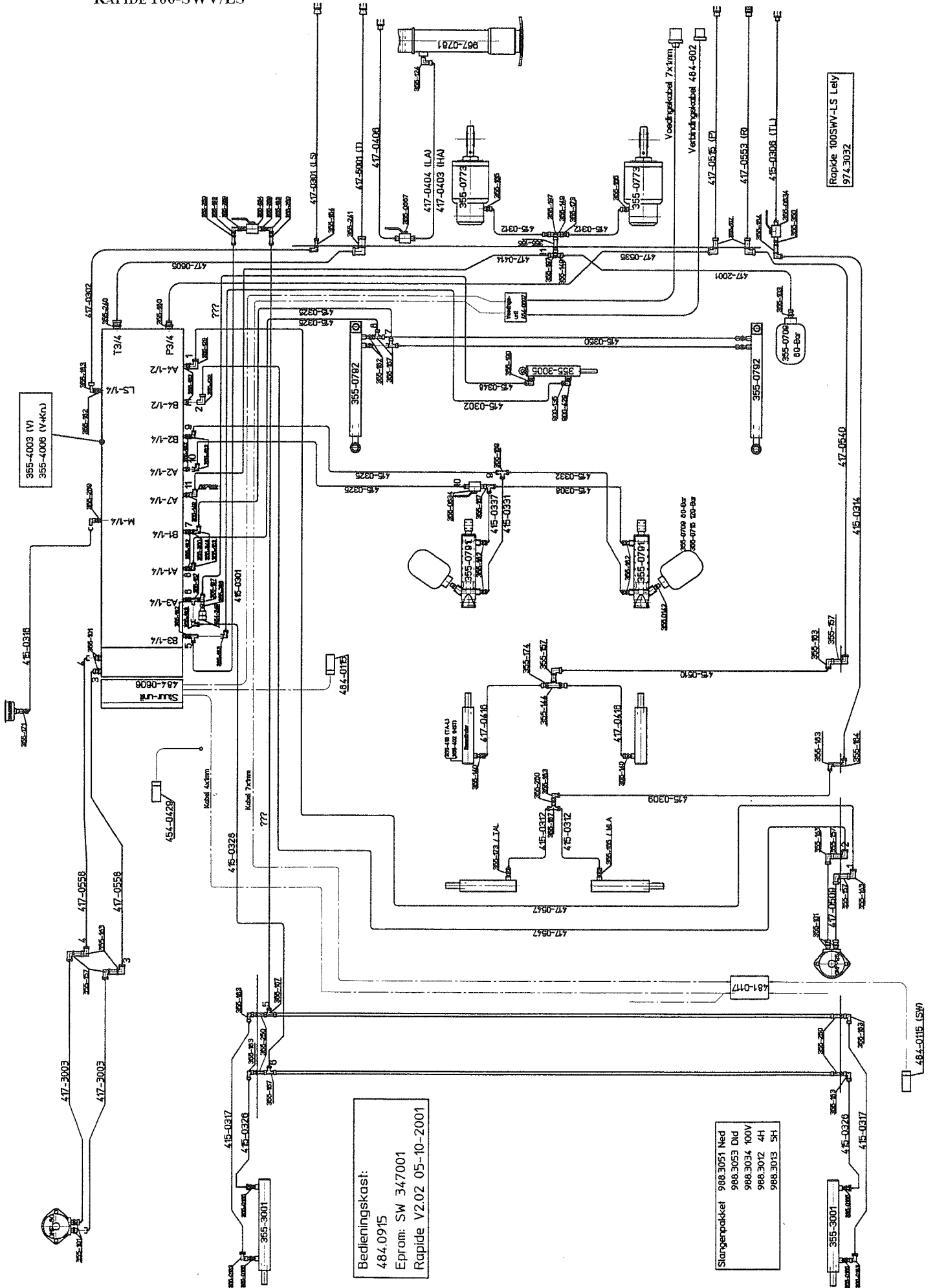


Bedieningskaski:
484.0915
Eprom: SW 347001
Rapide V2.02 05-10-2001

Slangenpakket 988.3050 Ned
988.3052 Did
Achterklep 4H 988.3012
Tandem TAL/MLA 988.3020

Rapide 100S-LS Lely
974.3030

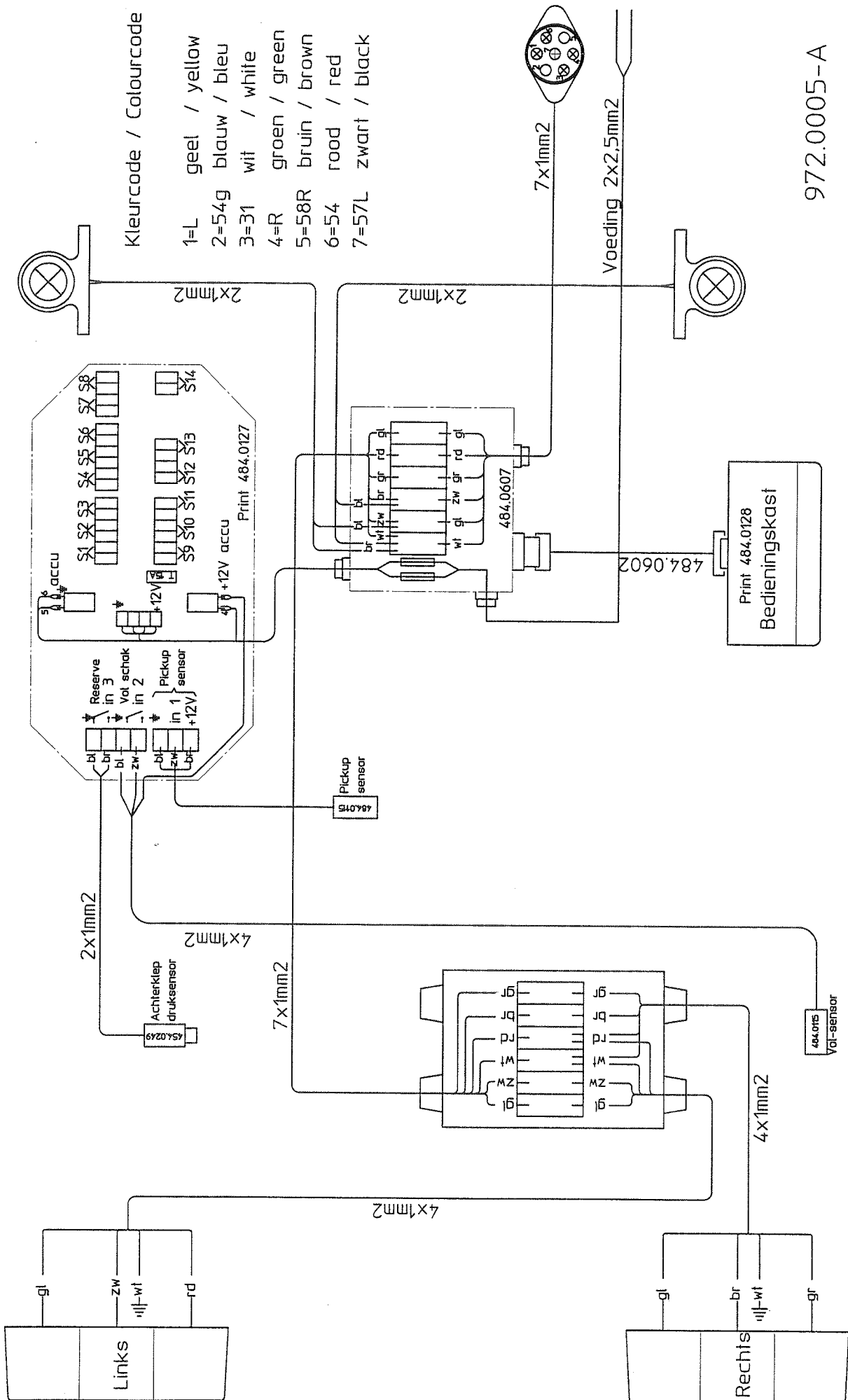
35. HYDRAULIC SYSTEM
RAPIDE 100-SWV/LS



Bedieningskast:
484.0915
Eptrom: SW 347001
Rapide V2.02 05-10-2001

Slangenpakket 988.3051 Ned
988.3053 Dld
988.3034 100V
988.3012 4H
988.3013 5H

39. ELECTRICAL CIRCUIT DIAGRAM RAPIDE SW AND SWV



972.0005-A

